

BETTER INFINITY, BETTER LIFE.

INFINITY AIR HVAC

INFINITY ICE MACHINE
FRESH. SIMPLE. SMART.



ICE SHAPES



Cube

- Larger heat exchange area speeds up the cooling rate of beverages
- Can do different specifications of ice cubes, perfect for mixed drinks, carbonated beverages, ice displays and ice retailing in all types of operations. Popular for restaurant, convenience store, hotel or other establishment.



Bullet

- Much more crystal clear Complete shape, high cooling efficiency Heavier bullet ice weight & slower melting High hardness, slower melting.
- Not easy to melt for better taste drinking. More popular for home, restaurants, bar, hotels, etc.



Nugget / Granular

- The ice are presented in the most natural shape, and the temperature is basically below zero degrees Celsius.
- Easy to chew, fun to crunch, absorb flavors of beverages, cools beverages quickly. Perfect for soft or blended drinks, smoothies, food displays and everyday uses.



Flake

- Because the water content is less than 2%, this type of ice is the driest and has the lowest freezing point.
- It is composed of irregular ice cubes, the thickness can be adjusted between 1 to 2 mm. It is very suitable for industrial processing, fish and seafood display and transportation of perishable goods, as well as optimization of dough temperature.



Crescent

- Crescent ice better control the dosage, balance the ratio of beverage and ice.
- Recommended hardness, not easy to melt, good for cold drinks.



Chewbit

- The soft, chewable ice form is a favorite for fountain beverages, smoothies, blended cocktails, salad bars, therapeutic use, and many other applications.



40+ Patents

CONTENTS



Cube Ice Machine

02-05



Ice Dispenser

06

Bullet Ice Machine

07



Nugget & Chewbit Ice Machine

08-09



Counter top ice & water dispenser

10-13



CUBE ICE MACHINE



CUBE ICE MACHINE



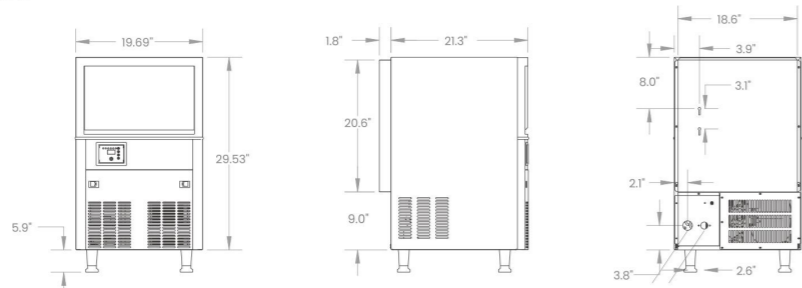
DESCRIPTION



Model	Ice Capacity	Ice Storage	Power	GrossWeight	Net Dimension (W×D×H / Inch)
INF-SK-89S	80 lbs /24hrs	33 lbs	350 w	88 lbs	19.69 × 17.72 × 35.43 in
INF-SK-129S	120 lbs /24hrs	40 lbs	400 w	110 lbs	19.69 × 23.23 × 35.43 in

Products Size

Notice: No more than 7.87inch for the drain (Unit:inch)



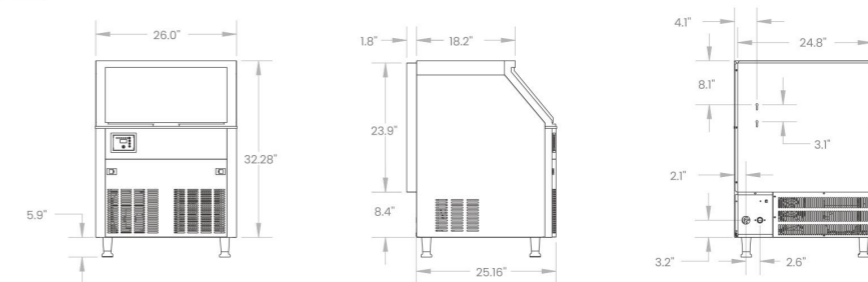
DESCRIPTION



Model	Ice Capacity	Ice Storage	Power	GrossWeight	Net Dimension (W×D×H / Inch)
INF-SK-169S	160 lbs /24hrs	80 lbs	450 w	143 lbs	26 × 26.96× 38.18 in
INF-SK-219S	210 lbs /24hrs	80 lbs	526 w	145 lbs	26 × 26.96× 38.18 in
INF-SK-289S	280 lbs /24hrs	80 lbs	726 w	147 lbs	26 × 26.96× 38.18 in

Products Size

Notice: No more than 7.87inch for the drain (Unit:inch)



INFINITY AIR HVAC

CUBE ICE MACHINE



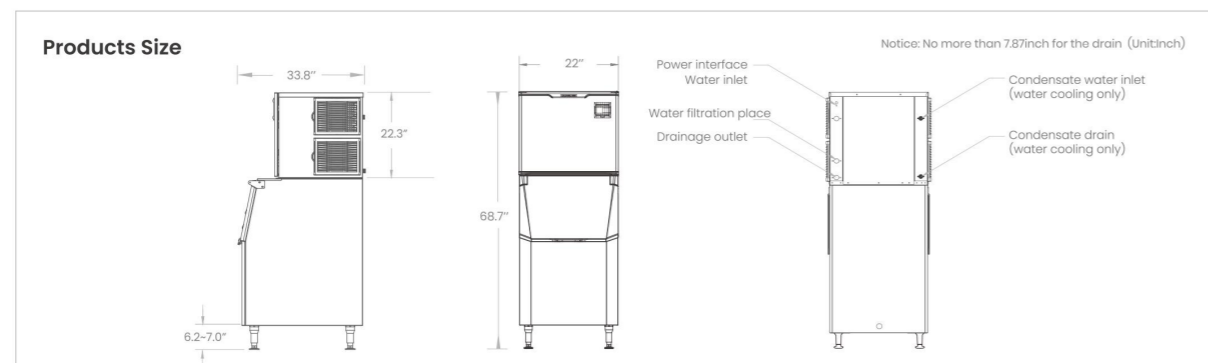
CUBE ICE MACHINE



DESCRIPTION



Model	Ice Capacity	Ice Storage	Power	hGrossWeight	Net Dimension (W×D×H / Inch)
INF-SK-329	350 lbs / 24hrs	300 lbs	780 w	207 lbs	22 × 33.8 × 68.7 in



DESCRIPTION



Model	Ice Capacity	Ice Storage	Power	GrossWeight	Net Dimension (W×D×H / Inch)
INF-SK-529	500 lbs / 24hrs	440 lbs	1113 w	264 lbs	30 × 33.8 × 68.7 in
INF-SK-729	700 lbs / 24hrs	440 lbs	1500 w	268 lbs	30 × 33.8 × 68.7 in
INF-SK-1029	1000 lbs / 24hrs	440 lbs	2150 w	309 lbs	30 × 33.8 × 75.6 in



INFINITY AIR HVAC

NUGGET ICE MACHINE



NUGGET&CHEWBIT ICE MACHINE

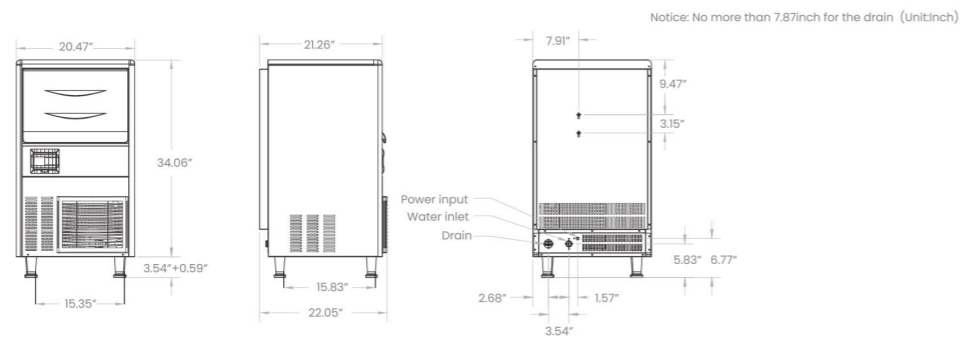


DESCRIPTION



Model	Ice Capacity	Ice Storage	Power	GrossWeight	Net Dimension (W×D×H / Inch)
INF-SK-139N	132 lbs / 24hrs	44 lbs	350 w	134 lbs	20.47 × 22.05 × 37.60 in
INF-SK-269N	264 lbs / 24hrs	110 lbs	565 w	247 lbs	25.59 × 25.98 × 41.34 in

Products Size

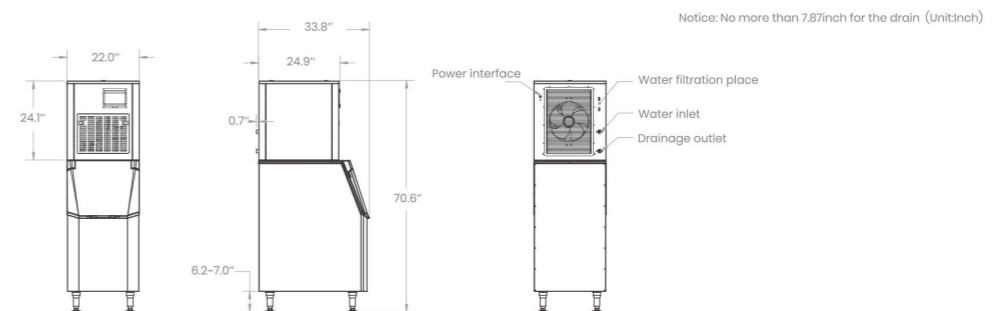


DESCRIPTION



Model	Ice Capacity	Ice Storage	Power	GrossWeight	Net Dimension (W×D×H / Inch)
INF-SK-559N	550 lbs / 24hrs	300 lbs	1180 w	287 lbs	22 × 33.8 × 70.6 in
INF-SK-559G	550 lbs / 24hrs	300 lbs	1180 w	287 lbs	22 × 33.8 × 70.6 in

Products Size



PRODUCTS ADVANTAGE

AFTER-SALES SERVICE PROMISE

- 304 / 316 luxury stainless steel
- Food grade liner
- Environmentally friendly ABS & PE material
- Copper nickel-plated evaporator, more effective anti-corrosion
- High quality compressor

3 years warranty
24 hours after-sales online Q&A

