

INFINITY AIR HVAC

PRODUCT BROCHURE

UPRIGHT
COUNTER
FOOD PREP TABLE
CHEF BASE
BEVERAGE COOLER

Company Profile

INFINITY AIR HVAC

Infinity Air HVAC is your premier partner for year-round indoor comfort. Specializing in residential and commercial heating, cooling, and air quality solutions, we pride ourselves on delivering "infinite" reliability to every client. Our team of certified technicians is dedicated to providing energy-efficient installations, precision repairs, and proactive maintenance tailored to your specific needs. From high-performance AC units to advanced furnace systems, we combine cutting-edge technology with old-school integrity to ensure your home or business stays perfect, no matter the weather outside.



CONTENTS

01 UPRIGHT 01-12

UPRIGHT-COOLER

UPRIGHT-FREEZER

02 COUNTER 13-28

COUNTER-COOLER

COUNTER-FREEZER

WORKTOP-COOLER

WORKTOP- FREEZER

03 FOOD PREP TABLE 29-36

SALAD TABLE

PIZZA TABLE

04 CHEF BASE 37-38

CHEF BASE

05 BEVERAGE COOLER 39-58

SMALL COOLER

MERCHANDISER

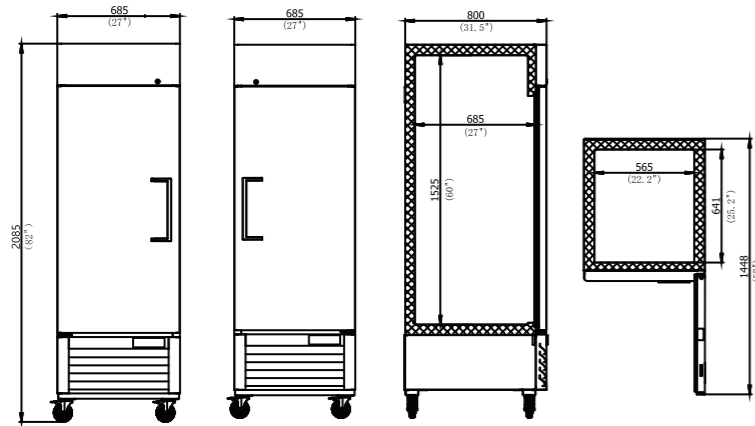
BACK BAR

UPRIGHT

COOLER



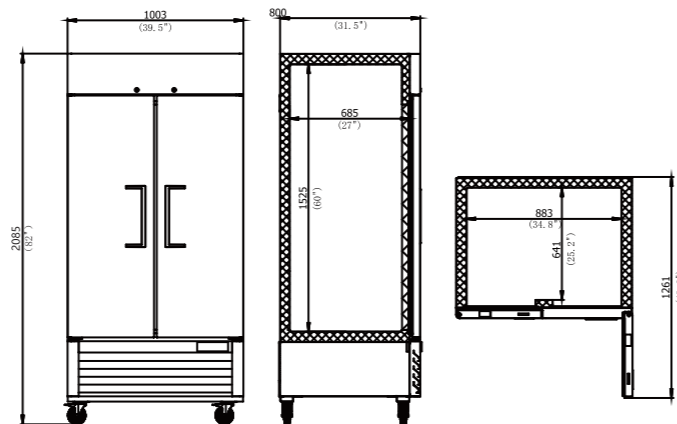
INF-R-23/INF-R-23-L



FEATURES:

- Evaporator fan motor that stops when door is open to conserve energy.
- Auto evaporation of defrosting water
- Round corner design for inner bottom shelf to facilitate easy cleaning
- Removable gasket that is easy to clean and replace.
- Adjustable/removable plastic coated wire shelves Shelves can be set-up to hold standard full-size hotel pans
- Cold air circulation via fan for temperature balance
- Refrigeration unit holds 33°F to 41°F (0.5°C to 5°C)

INF-R-35



Bottom-mounted cooling unit is easy to remove and clean.

Outstanding temperature preservation reduces energy consumption via foamed-in polyurethane cell insulation

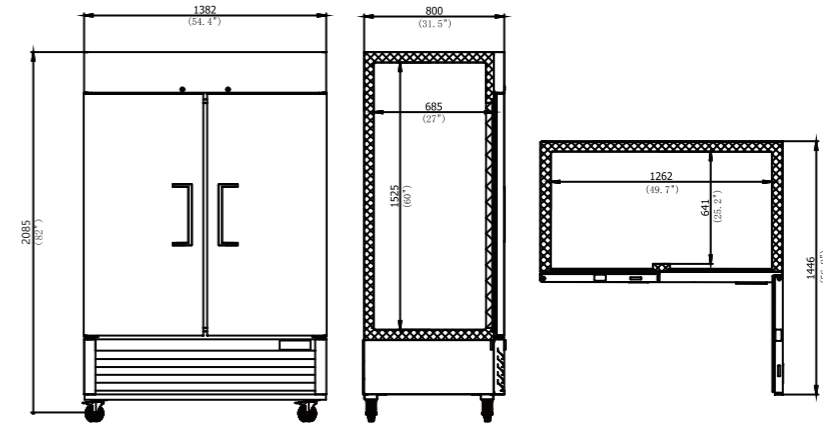
Fuse equipped at the beam to prevent condensation

Self-closing and left/right hinge doors with lock & key equipped to stay open when past 90 degrees

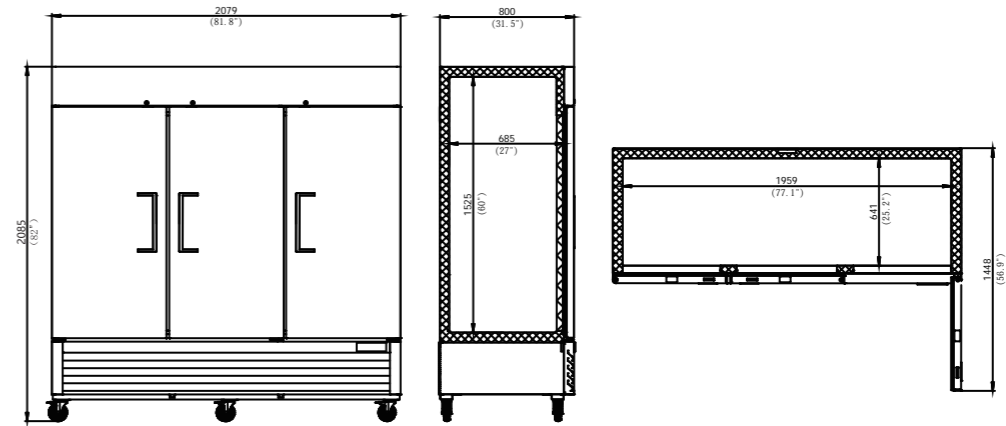
High-quality Digital thermostat (I.o.T function is optional)

Black inner box models are optional

INF-R-49



INF-R-83



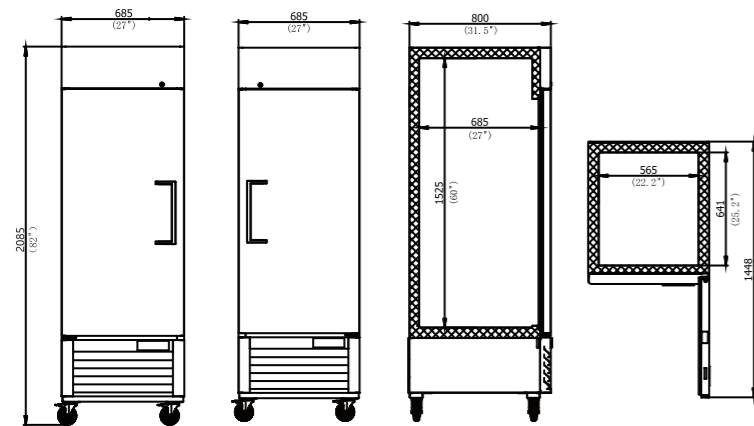
Model	INF-R-23	INF-R-35	INF-R-49	INF-R-83
Classification	Refrigerator	Refrigerator	Refrigerator	Refrigerator
Unit Dimension(WxDxH inch)	27*31 1/2*82	39 1/2*31 1/2*82	54 3/8*31 1/2*82	81 7/8*31 1/2*82
Shipping Dimension(WxDxH in)	29*33 3/8*86 3/8	41 3/8*33 3/8*86 3/8	56 1/4*33 3/8*86 3/8	83 7/8*33 3/8*86 3/8
Inner Dimensions(WxDxH in)	22 1/4*25 1/4*60	34 3/4*25 1/4*60	49 5/8*25 1/4*60	77 1/8*25 1/4*60
Unit Dimension(WxDxH mm)	685*800*2085	1003*800*2085	1382*800*2085	2079*800*2085
Shipping Dimension(WxDxH mm)	735*848*2195	1050*848*2195	1430*848*2195	2130*848*2195
Inner Dimensions(WxDxH mm)	565*641*1525	883*641*1525	1262*641*1525	1959*641*1525
Capacity(L/Cuft)	547/19.3	840/29.7	1231/43.5	1934/68.3
Inner Temperature(°C)	0.5~5	0.5~5	0.5~5	0.5~5
Inner Temperature(°F)	33~41	33~41	33~41	33~41
Refrigerant	R290	R290	R290	R290
Insulation Type	Polyurethane/Cyclopentane+CFC Free			
Amps(A)	1.5	3	3	3.2
Voltage(V/Hz)	115/60	115/60	115/60	115/60
Power(W)	172.5	345	345	368
Number Of Doors	1	2	2	3

UPRIGHT

FREEZER



INF-F-23/INF-F-23-L



FEATURES:

- Evaporator fan motor that stops when door is open to conserve energy.
- Auto evaporation of defrosting water
- Round corner design for inner bottom shelf to facilitate easy cleaning
- Removable gasket that is easy to clean and replace.
- Adjustable/removable plastic coated wire shelves Shelves can be set-up to hold standard full-size hotel pans
- Cold air circulation via fan for temperature balance
- Refrigeration unit holds -13°F to -5°F (-25°C to -20°C)

Bottom-mounted cooling unit is easy to remove and clean.

Outstanding temperature preservation reduces energy consumption via foamed-in polyurethane cell insulation

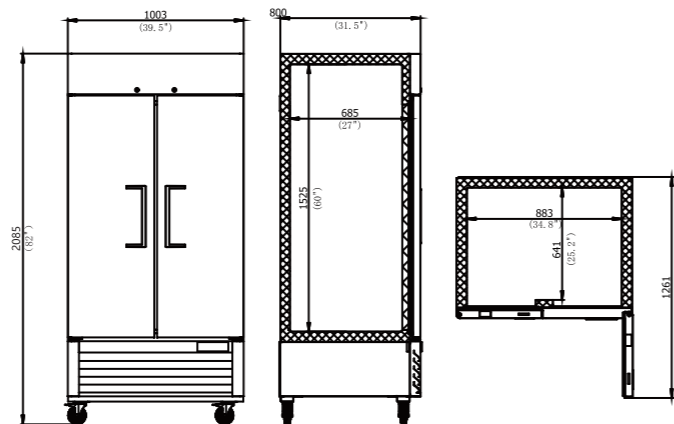
Fuse equipped at the beam to prevent condensation

Self-closing and left/right hinge doors with lock & key equipped to stay open when past 90 degrees

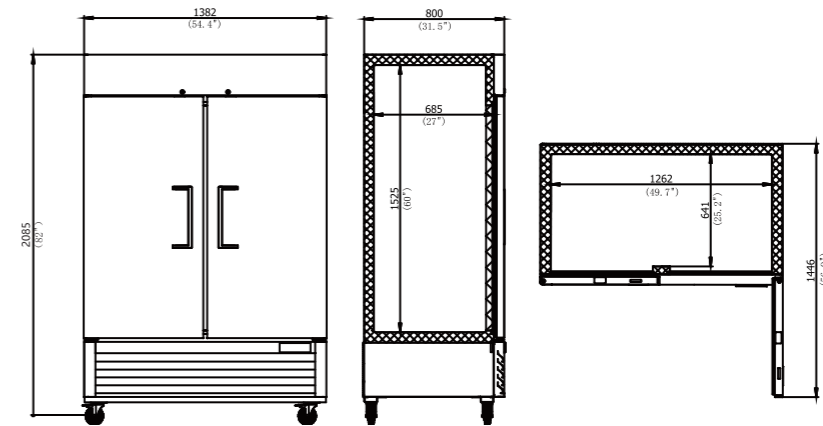
High-quality Digital thermostat (I.o.T function is optional)

Black inner box models are optional

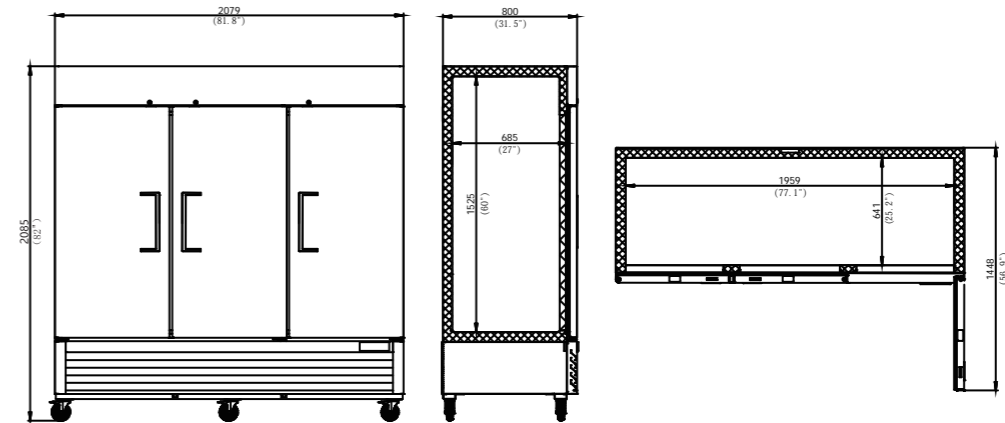
INF-F-35



INF-F-49



INF-F-83



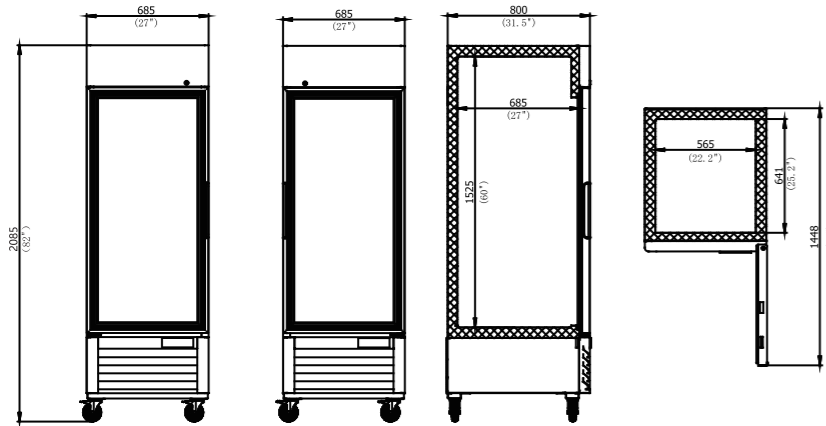
Model	INF-F-23	INF-F-35	INF-F-49	INF-F-83
Classification	Freezer	Freezer	Freezer	Freezer
Unit Dimension(WxDxH inch)	27*31 ¹ / ₂ *82	39 ¹ / ₂ *31 ¹ / ₂ *82	54 ³ / ₈ *31 ¹ / ₂ *72	81 ⁷ / ₈ *31 ¹ / ₂ *82
Shipping Dimension(WxDxH in)	29*33 ³ / ₈ *86 ³ / ₈	41 ³ / ₈ *33 ³ / ₈ *86 ³ / ₈	56 ¹ / ₄ *33 ³ / ₈ *86 ³ / ₈	83 ⁷ / ₈ *33 ³ / ₈ *86 ³ / ₈
Inner Dimensions(WxDxH in)	22 ¹ / ₄ *25 ¹ / ₄ *60	34 ³ / ₄ *25 ¹ / ₄ *60	49 ⁵ / ₈ *25 ¹ / ₄ *60	77 ¹ / ₈ *25 ¹ / ₄ *60
Unit Dimension(WxDxH mm)	685*800*2085	1003*800*2085	1382*800*2085	2079*800*2085
Shipping Dimension(WxDxH mm)	735*848*2195	1050*848*2195	1430*848*2195	2130*848*2195
Inner Dimensions(WxDxH mm)	565*641*1525	883*641*1525	1262*641*1525	1959*641*1525
Capacity(L/Cuft)	547/19.3	840/29.7	1231/43.5	1934/68.3
Inner Temperature(°C)	-22~-18	-22~-18	-22~-18	-22~-18
Inner Temperature(°F)	-8~0	-8~0	-8~0	-8~0
Refrigerant	R290	R290	R290	R290
Insulation Type	Polyurethane/Cyclopentane+CFC Free			
Amps(A)	2.6	5.2	5.2	7.2
Voltage(V/Hz)	115/60	115/60	115/60	115/60
Power(W)	299	598	598	828
Number Of Doors	1	2	2	3

UPRIGHT

COOLER



INF-R-23G/INF-R-23G-L



Bottom-mounted cooling unit is easy to remove and clean.

Outstanding temperature preservation reduces energy consumption via foamed-in polyurethane cell insulation

Fuse equipped at the beam to prevent condensation

Self-closing and left/right hinge doors with lock & key equipped to stay open when past 90 degrees

High-quality Digital thermostat (I.o.T function is optional)

Black inner box models are optional

FEATURES:

Evaporator fan motor that stops when door is open to conserve energy.

Auto evaporation of defrosting water

Round corner design for inner bottom shelf to facilitate easy cleaning

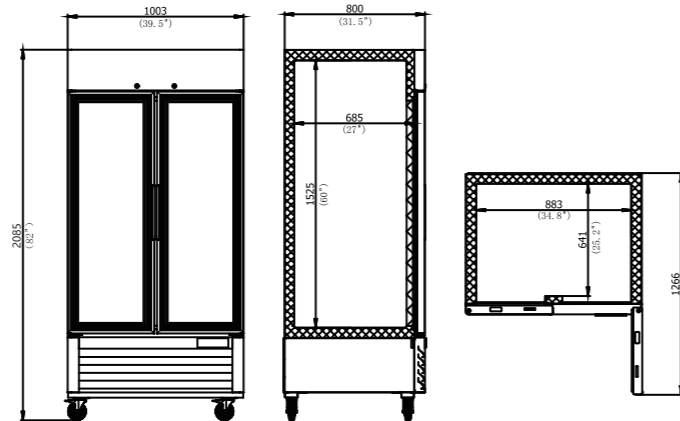
Removable gasket that is easy to clean and replace.

Adjustable/removable plastic coated wire shelves Shelves can be set-up to hold standard full-size hotel pans

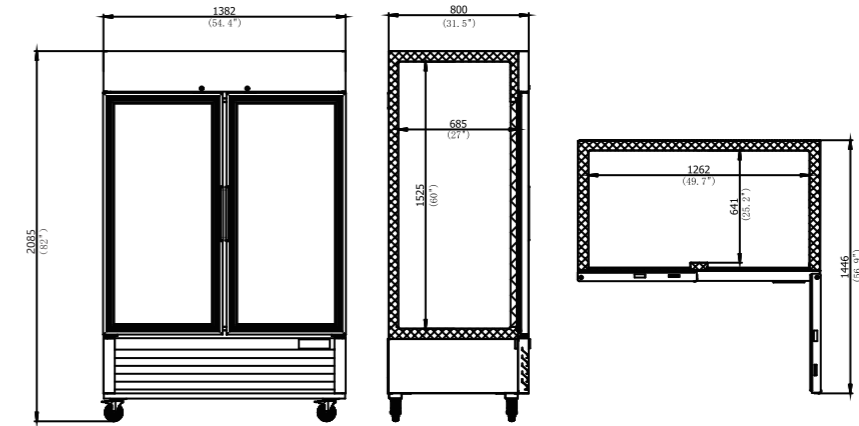
Cold air circulation via fan for temperature balance

Refrigeration unit holds 33°F to 41°F (0.5°C to 5°C)

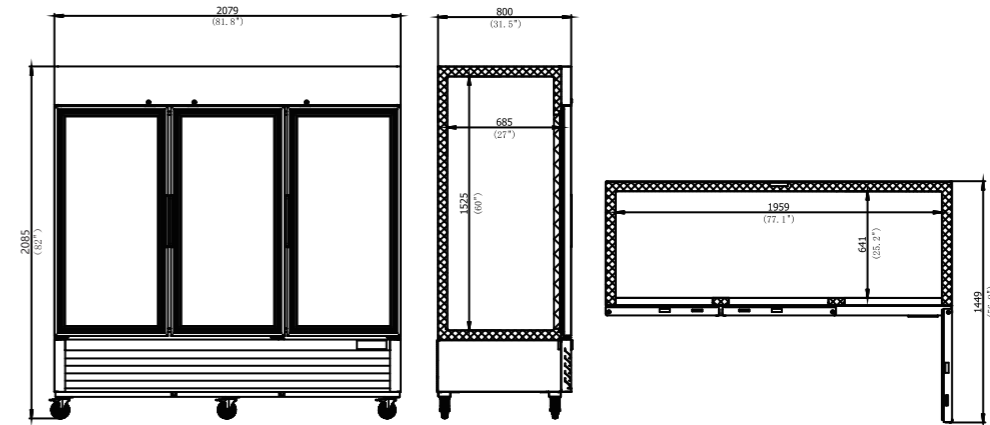
INF-R-35G



INF-R-49G



INF-R-83G



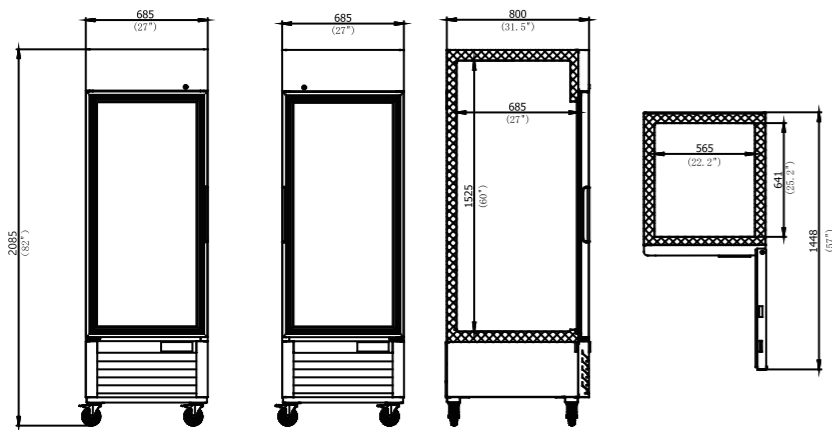
Model	INF-R-23G	INF-R-35G	INF-R-49G	INF-R-83G
Classification	Refrigerator	Refrigerator	Refrigerator	Refrigerator
Unit Dimension(WxDxH inch)	27*31 1/2*82	39 1/2*31 1/2*82	54 3/8*31 1/2*82	81 7/8*31 1/2*82
Shipping Dimension(WxDxH in)	29*33 3/8*86 3/8	41 3/8*33 3/8*86 3/8	56 1/4*33 3/8*86 3/8	83 7/8*33 3/8*86 3/8
Inner Dimensions(WxDxH in)	22 1/4*25 1/4*60	34 3/4*25 1/4*60	49 5/8*25 1/4*60	77 1/8*25 1/4*60
Unit Dimension(WxDxH mm)	685*800*2085	1003*800*2085	1382*800*2085	2079*800*2085
Shipping Dimension(WxDxH mm)	735*848*2195	1050*848*2195	1430*848*2195	2130*848*2195
Inner Dimensions(WxDxH mm)	565*641*1525	883*641*1525	1262*641*1525	1959*641*1525
Capacity(L/Cuft)	559/19.7	862.5/32.5	1252/44.2	1965/69.4
Inner Temperature(°C)	0.5~5	0.5~5	0.5~5	0.5~5
Inner Temperature(°F)	33~41	33~41	33~41	33~41
Refrigerant	R290	R290	R290	R290
Insulation Type	Polyurethane/Cyclopentane+CFC Free			
Amps(A)	1.5	3	3	3.2
Voltage(V/Hz)	115/60	115/60	115/60	115/60
Power(W)	172.5	345	345	368
Number Of Doors	1	2	2	3

UPRIGHT

FREEZER



INF-F-23G/INF-F-23G-L



FEATURES:

Evaporator fan motor that stops when door is open to conserve energy.

Auto evaporation of defrosting water

Round corner design for inner bottom shelf to facilitate easy cleaning

Removable gasket that is easy to clean and replace.

Adjustable/removable plastic coated wire shelves Shelves can be set-up to hold standard full-size hotel pans

Cold air circulation via fan for temperature balance

Refrigeration unit holds -13°F to -5°F (-25°C to -20°C)

Bottom-mounted cooling unit is easy to remove and clean.

Outstanding temperature preservation reduces energy consumption via foamed-in polyurethane cell insulation

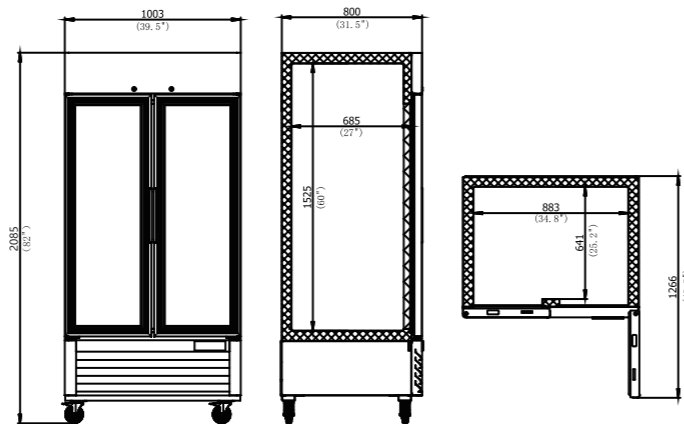
Fuse equipped at the beam to prevent condensation

Self-closing and left/right hinge doors with lock & key equipped to stay open when past 90 degrees

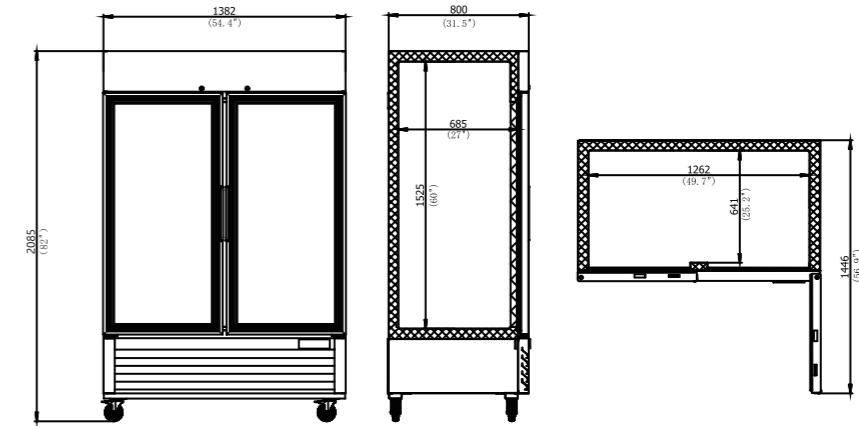
High-quality Digital thermostat (I.o.T function is optional)

Black inner box models are optional

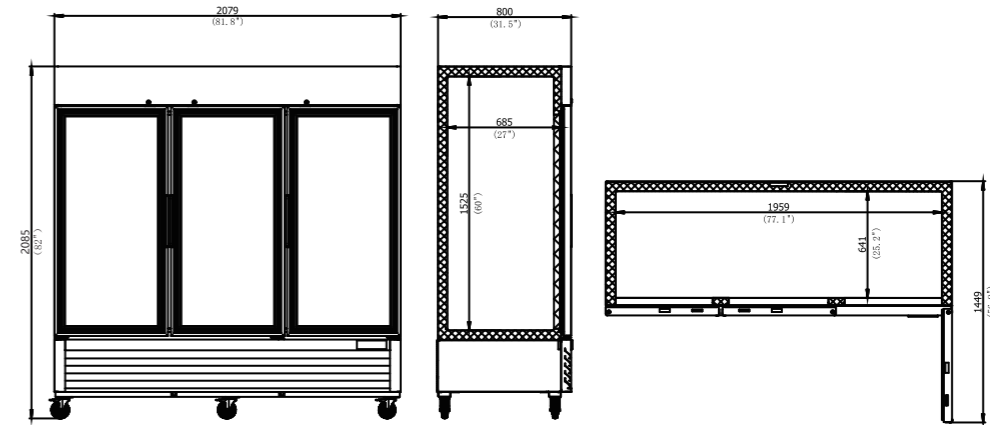
INF-F-35G



INF-F-49G



INF-F-83G



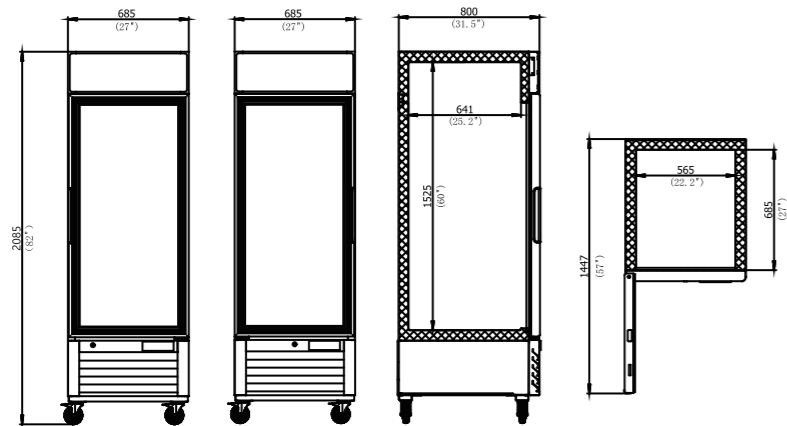
Model	INF-F-23G	INF-F-35G	INF-F-49G	INF-F-83G
Classification	Freezer	Freezer	Freezer	Freezer
Unit Dimension(WxDxH inch)	27*31 ¹ / ₂ *82	39 ¹ / ₂ *31 ¹ / ₂ *82	54 ³ / ₈ *31 ¹ / ₂ *82	81 ⁷ / ₈ *31 ¹ / ₂ *72
Shipping Dimension(WxDxH inch)	29*33 ³ / ₈ *86 ³ / ₈	41 ³ / ₈ *33 ³ / ₈ *86 ³ / ₈	56 ¹ / ₄ *33 ³ / ₈ *86 ³ / ₈	83 ⁷ / ₈ *33 ³ / ₈ *86 ³ / ₈
Inner Dimensions(WxDxH in)	22 ¹ / ₄ *25 ¹ / ₄ *60	34 ³ / ₄ *25 ¹ / ₄ *60	49 ⁵ / ₈ *25 ¹ / ₄ *60	77 ¹ / ₈ *25 ¹ / ₄ *60
Unit Dimension(WxDxH mm)	685*800*2085	1003*800*2085	1382*800*2085	2079*800*2085
Shipping Dimension(WxDxH mm)	735*848*2195	1050*848*2195	1430*848*2195	2130*848*2195
Inner Dimensions(WxDxH mm)	565*641*1525	883*641*1525	1262*641*1525	1959*641*1525
Capacity(L/Cuft)	559/19.7	848/30	1252/44.2	1965/69.4
Inner Temperature(°C)	-22~-18	-22~-18	-22~-18	-22~-18
Inner Temperature(°F)	-8~0	-8~0	-8~0	-8~0
Refrigerant	R290	R290	R290	R290
Insulation Type	Polyurethane/Cyclopentane+CFC Free			
Amps(A)	2.6	5.2	5.2	7.2
Voltage(V/Hz)	115/60	115/60	115/60	115/60
Power(W)	299	598	598	828
Number Of Doors	1	2	2	3

UPRIGHT

COOLER



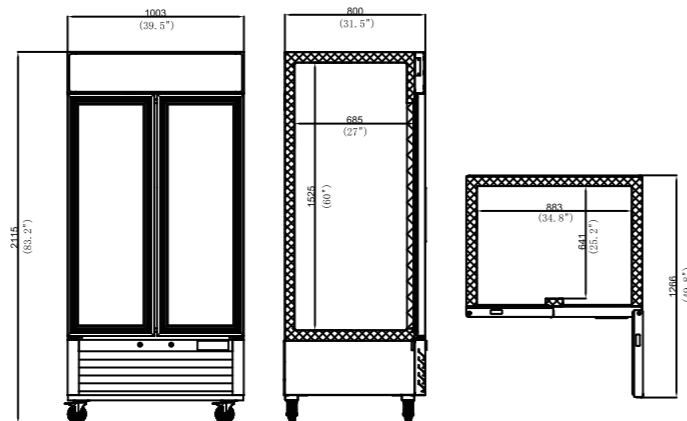
INF-PR-23G/INF-PR-23G-L



FEATURES:

- Evaporator fan motor that stops when door is open to conserve energy.
- Auto evaporation of defrosting water
- Round corner design for inner bottom shelf to facilitate easy cleaning
- Removable gasket that is easy to clean and replace.
- Adjustable/removable plastic coated wire shelves Shelves can be set-up to hold standard full-size hotel pans
- Cold air circulation via fan for temperature balance
- Refrigeration unit holds 33°F to 41°F (0.5°C to 5°C)

INF-PR-35G



Bottom-mounted cooling unit is easy to remove and clean.

Outstanding temperature preservation reduces energy consumption via foamed-in polyurethane cell insulation

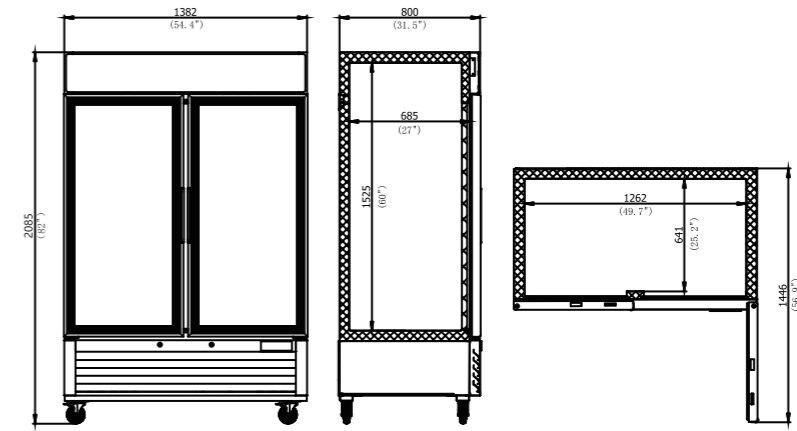
Fuse equipped at the beam to prevent condensation

Self-closing and left/right hinge doors with lock & key equipped to stay open when past 90 degrees

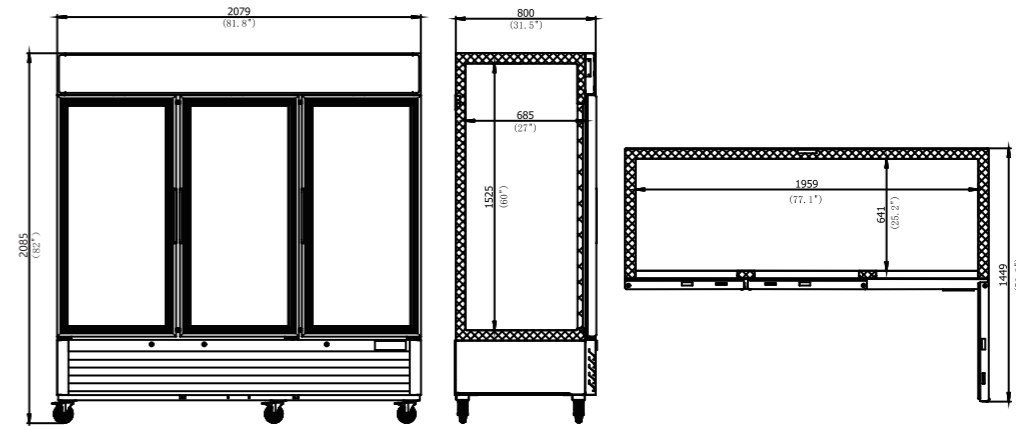
High-quality Digital thermostat (I.o.T function is optional)

Black inner box models are optional

INF-PR-49G



INF-PR-83G



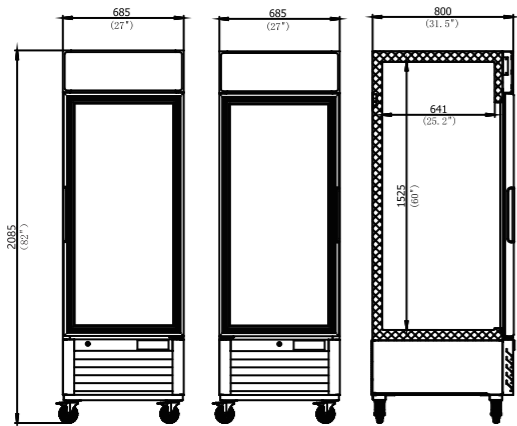
Model	INF-PR-23G	INF-PR-35G	INF-PR-49G	INF-PR-83G
Classification	Refrigerator	Refrigerator	Refrigerator	Refrigerator
Unit Dimension(WxDxH inch)	27*31 1/2*82	39 1/2*31 1/2*82	54 3/8*31 1/2*82	81 7/8*31 1/2*82
Shipping Dimension(WxDxH in)	29*33 3/8*86 3/8	41 3/8*33 3/8*86 3/8	56 1/4*33 3/8*86 3/8	83 7/8*33 3/8*86 3/8
Inner Dimensions(WxDxH in)	22 1/4*25 1/4*60	34 3/4*25 1/4*60	49 5/8*25 1/4*60	77 1/8*25 1/4*60
Unit Dimension(WxDxH mm)	685*800*2085	1003*800*2085	1382*800*2085	2079*800*2085
Shipping Dimension(WxDxH mm)	735*848*2195	1050*848*2195	1430*848*2195	2130*848*2195
Inner Dimensions(WxDxH mm)	565*641*1525	883*641*1525	1262*641*1525	1959*641*1525
Capacity(L/Cuft)	559/19.7	862.5/32.5	1252/44.2	1965/69.4
Inner Temperature(°C)	0.5~5	0.5~5	0.5~5	0.5~5
Inner Temperature(°F)	33~41	33~41	33~41	33~41
Refrigerant	R290	R290	R290	R290
Insulation Type	Polyurethane/Cyclopentane+CFC Free			
Amps(A)	1.5	3	3	3.2
Voltage(V/Hz)	115/60	115/60	115/60	115/60
Power(W)	172.5	345	345	368
Number Of Doors	1	2	2	3

UPRIGHT

FREEZER



INF-PF-23G/INF-PF-23G-L



FEATURES:

- Evaporator fan motor that stops when door is open to conserve energy.
- Auto evaporation of defrosting water
- Round corner design for inner bottom shelf to facilitate easy cleaning
- Removable gasket that is easy to clean and replace.
- Adjustable/removable plastic coated wire shelves Shelves can be set-up to hold standard full-size hotel pans
- Cold air circulation via fan for temperature balance
- Refrigeration unit holds -13°F to -5°F (-25°C to -20°C)

Bottom-mounted cooling unit is easy to remove and clean.

Outstanding temperature preservation reduces energy consumption via foamed-in polyurethane cell insulation

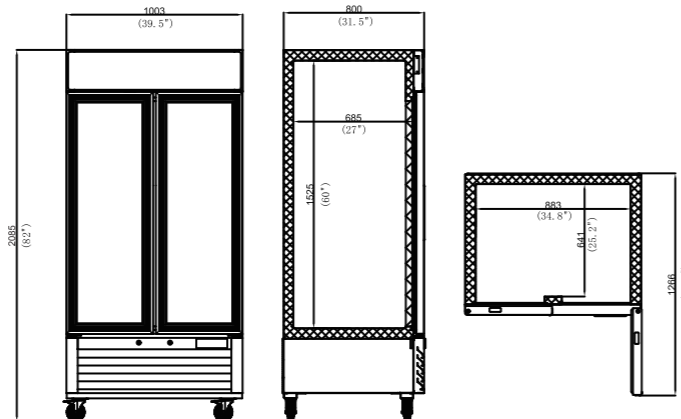
Fuse equipped at the beam to prevent condensation

Self-closing and left/right hinge doors with lock & key equipped to stay open when past 90 degrees

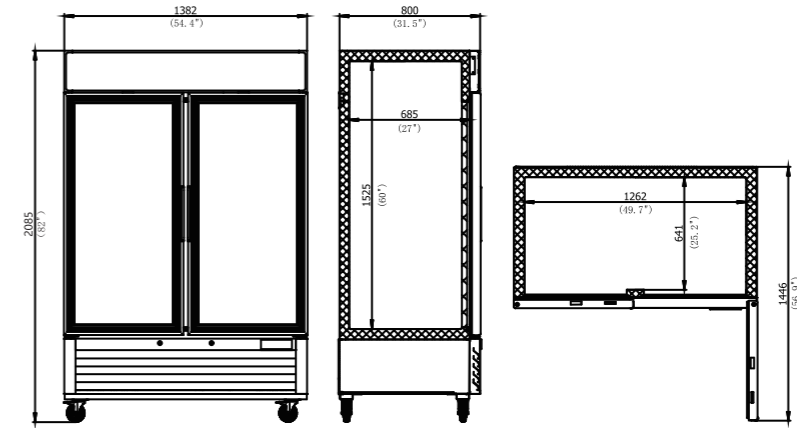
High-quality Digital thermostat (I.o.T function is optional)

Black inner box models are optional

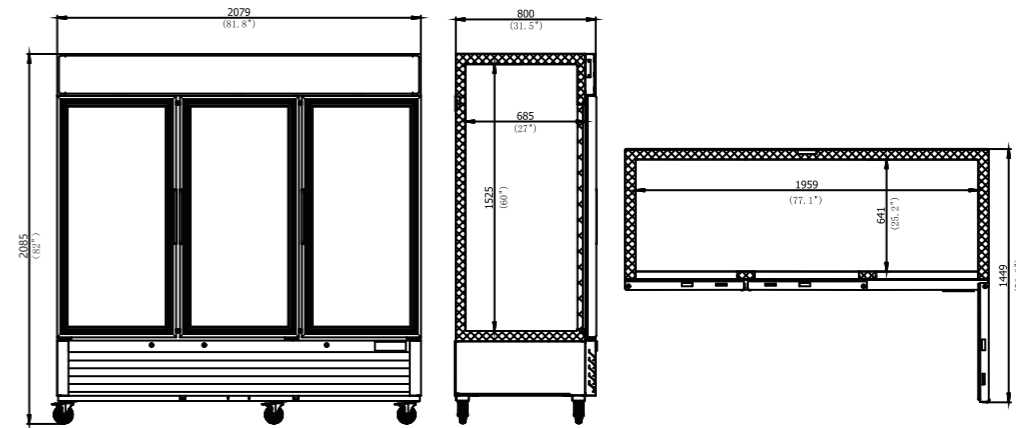
INF-PF-35G



INF-PF-49G



INF-PF-83G



Model	INF-PF-23G	INF-PF-35G	INF-PF-49G	INF-PF-83G
Classification	Freezer	Freezer	Freezer	Freezer
Unit Dimension(WxDxH inch)	27*31 ¹ / ₂ *82	39 ¹ / ₂ *31 ¹ / ₂ *82	54 ³ / ₈ *31 ¹ / ₂ *82	81 ⁷ / ₈ *31 ¹ / ₂ *82
Shipping Dimension(WxDxH inch)	29*33 ³ / ₈ *86 ³ / ₈	41 ³ / ₈ *33 ³ / ₈ *86 ³ / ₈	56 ¹ / ₄ *33 ³ / ₈ *86 ³ / ₈	83 ⁷ / ₈ *33 ³ / ₈ *86 ³ / ₈
Inner Dimensions(WxDxH in)	22 ¹ / ₄ *25 ¹ / ₄ *60	34 ³ / ₄ *25 ¹ / ₄ *60	49 ⁵ / ₈ *25 ¹ / ₄ *60	77 ¹ / ₈ *25 ¹ / ₄ *60
Unit Dimension(WxDxH mm)	685*800*2085	1003*800*2085	1382*800*2085	2079*800*2085
Shipping Dimension(WxDxH mm)	735*848*2195	1050*848*2195	1430*848*2195	2130*848*2195
Inner Dimensions(WxDxH mm)	565*641*1525	883*641*1525	1262*641*1525	1959*641*1525
Capacity(L/Cuft)	559/19.7	862.5/32.5	1252/44.2	1965/69.4
Inner Temperature(°C)	-22~-18	-22~-18	-22~-18	-22~-18
Inner Temperature(°F)	-8~-0	-8~-0	-8~-0	-8~-0
Refrigerant	R290	R290	R290	R290
Insulation Type	Polyurethane/Cyclopentane+CFC Free			
Amps(A)	2.6	5.2	5.2	7.2
Voltage(V/Hz)	115/60	115/60	115/60	115/60
Power(W)	299	598	598	828
Number Of Doors	1	2	2	3

UNDERCOUNTER

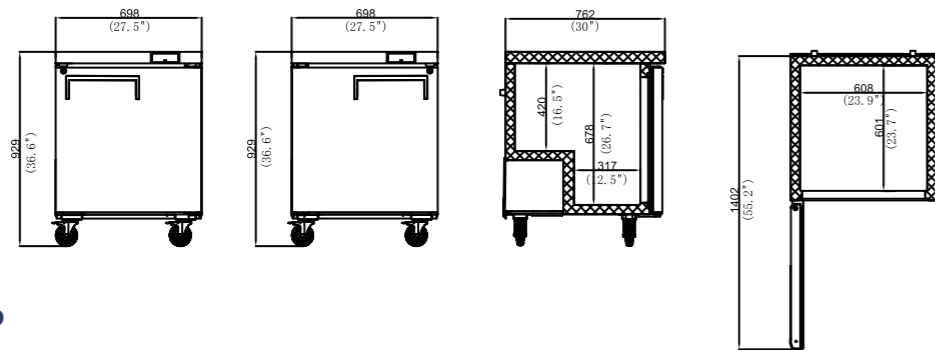
COOLER



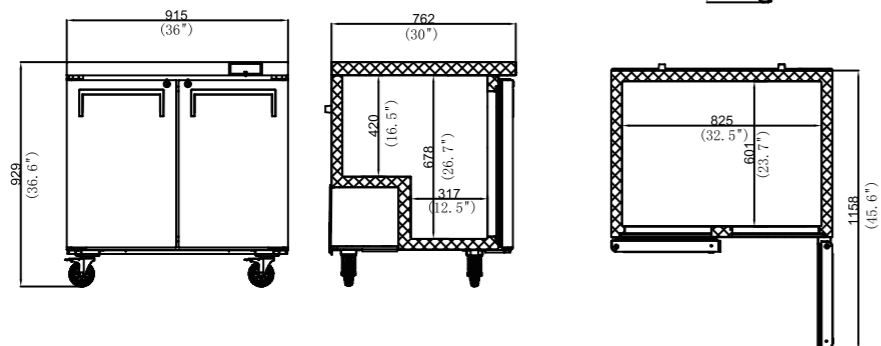
FEATURES:

- Auto evaporation of defrosting water
- Round corner design for inner bottom shelf to facilitate easy cleaning
- Removable gasket that is easy to clean and replace.
- Adjustable/removable plastic coated wire shelves
- Cold air circulation via fan for temperature balance
- Refrigeration unit holds 33°F to 41°F (0.5°C to 5°C)
- Bottom-mounted cooling unit is easy to remove and clean.
- Outstanding temperature preservation reduces energy consumption via foamed-in polyurethane cell insulation
- Fuse equipped at the beam to prevent condensation
- Self-closing and left/right hinge doors with lock & key
- High-quality Digital thermostat (I.o.T function is optional)
- Black inner box models are optional
- Drawer models are optional.

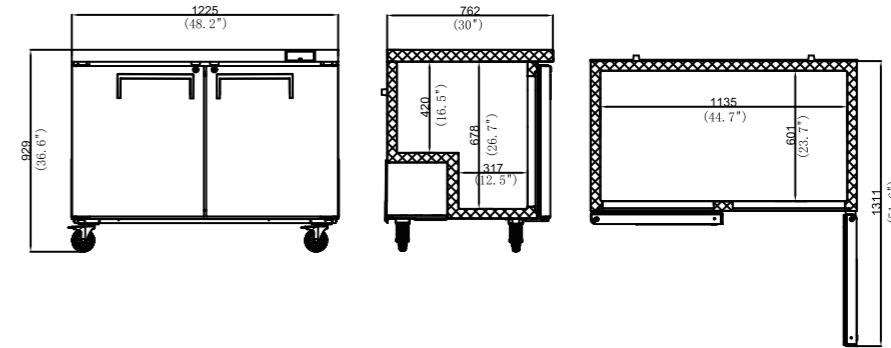
INF-TR-27/INF-TR-27-L



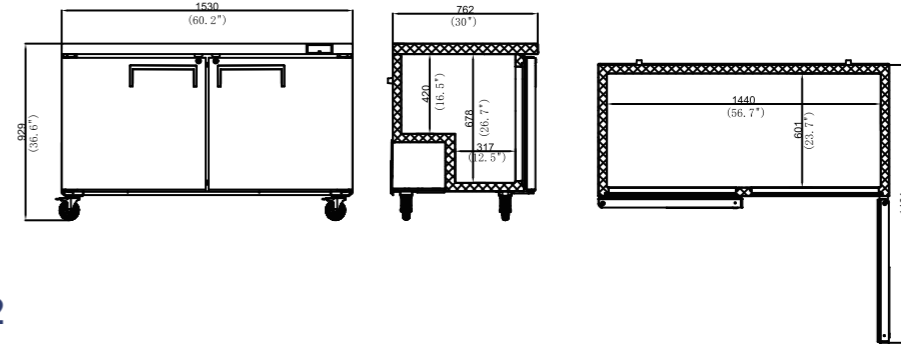
INF-TR-36



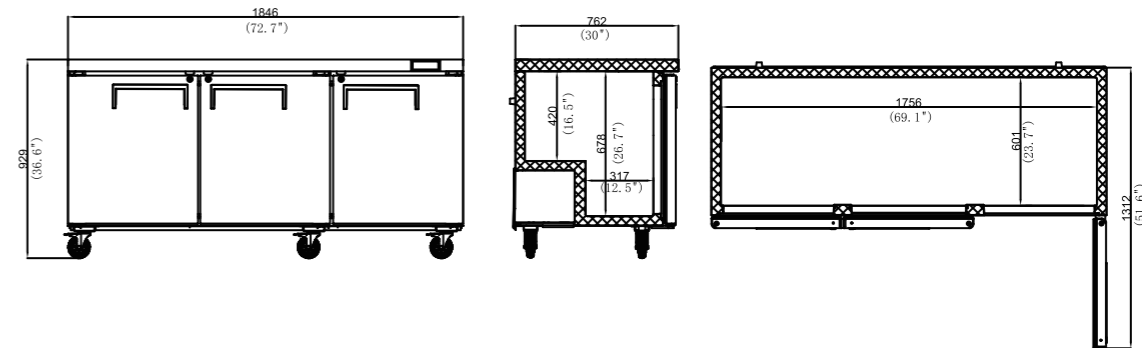
INF-TR-48



INF-TR-60



INF-TR-72



Model	INF-TR-27	INF-TR-36	INF-TR-48	INF-TR-60	INF-TR-72
Classification	Refrigerator	Refrigerator	Refrigerator	Refrigerator	Refrigerator
Unit Dimension(WxDxH inch)	27 ^{1/2} ×30×36 ^{1/2}	36×30×36 ^{1/2}	48 ^{1/4} ×30×36 ^{1/2}	60 ^{1/4} ×30×36 ^{1/2}	72 ^{3/4} ×30×36 ^{1/2}
Shipping Dimension(WxDxH in)	29 ^{1/4} ×31 ^{7/8} ×40 ^{1/2}	37 ^{7/8} ×31 ^{7/8} ×40 ^{1/2}	50×31 ^{7/8} ×40 ^{1/2}	62×31 ^{7/8} ×40 ^{1/2}	74 ^{1/2} ×31 ^{7/8} ×40 ^{1/2}
Inner Dimensions(WxDxH in)	23 ^{7/8} ×23 ^{5/8} ×26 ^{5/8}	32 ^{1/2} ×23 ^{5/8} ×26 ^{5/8}	44 ^{3/4} ×23 ^{5/8} ×26 ^{5/8}	56 ^{3/4} ×23 ^{5/8} ×26 ^{5/8}	69 ^{1/8} ×23 ^{5/8} ×26 ^{5/8}
Unit Dimension(WxDxH mm)	698×762×929	915×762×929	1225×762×929	1530×762×929	1846×762×929
Shipping Dimension(WxDxH mm)	745×810×1030	962×810×1030	1272×810×1030	1577×810×1030	1893×810×1030
Inner Dimensions(WxDxH mm)	608×601×678	825×601×678	1135×601×678	1440×601×678	1756×601×678
Capacity(L/Cuft)	202/7.1	274/9.7	368/13	476/16.8	576/20.3
Inner Temperature(°C)	0.5~5	0.5~5	0.5~5	0.5~5	0.5~5
Inner Temperature(°F)	33~41	33~41	33~41	33~41	33~41
Refrigerant	R290	R290	R290	R290	R290
Insulation Type	Polyurethane/Cyclopentane+CFC Free				
Amps(A)	1.5	1.7	1.7	1.9	2
Voltage(V/Hz)	115/60	115/60	115/60	115/60	115/60
Power(W)	173	196	196	219	230
Number Of Doors	1	2	2	2	3

UNDERCOUNTER

FREEZER



FEATURES:

Auto evaporation of defrosting water

Round corner design for inner bottom shelf to facilitate easy cleaning

Removable gasket that is easy to clean and replace.

Adjustable/removable plastic coated wire shelves

Cold air circulation via fan for temperature balance

Refrigeration unit holds -13°F to -5°F (-25°C to -20°C)

Bottom-mounted cooling unit is easy to remove and clean.

Outstanding temperature preservation reduces energy consumption via foamed-in polyurethane cell insulation

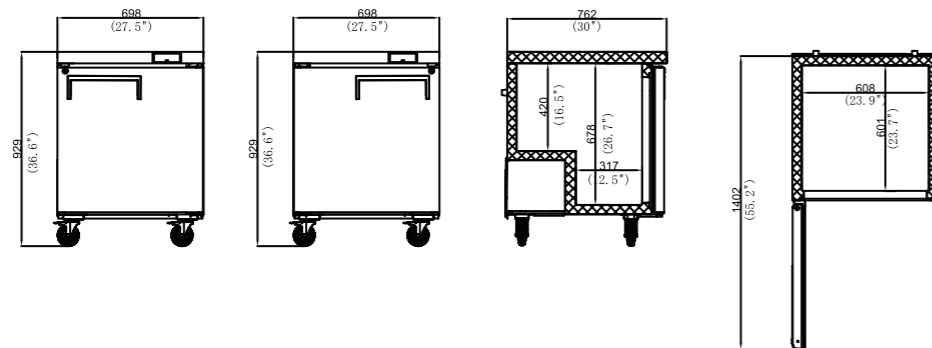
Fuse equipped at the beam to prevent condensation

Self-closing and left/right hinge doors with lock & key

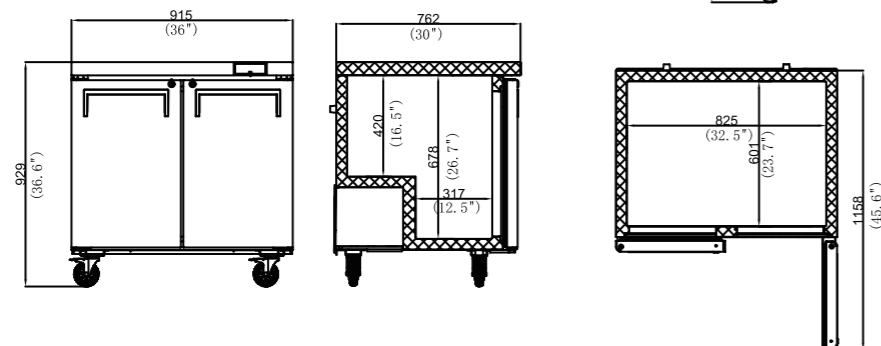
High-quality Digital thermostat (I.o.T function is optional)

Black inner box models are optional

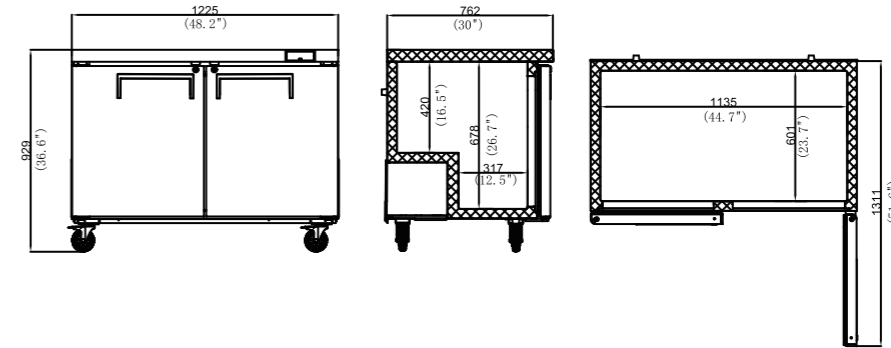
INF-TF-27/INF-TF-27-L



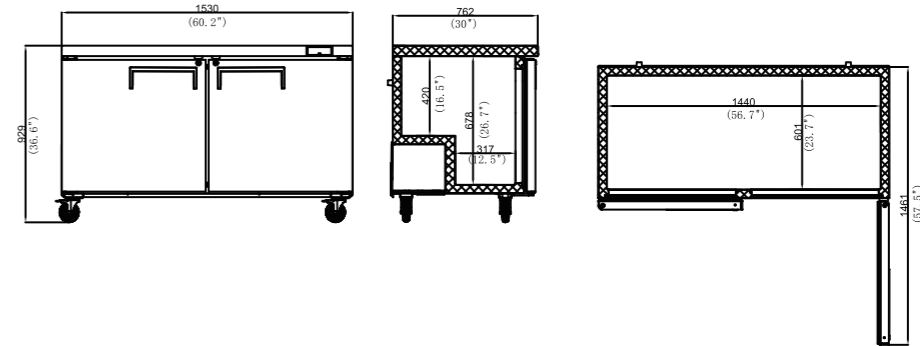
INF-TF-36



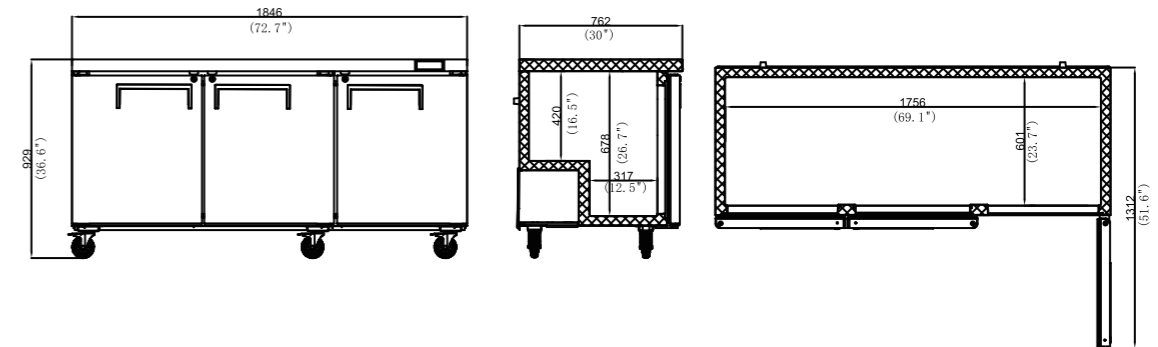
INF-TF-48



INF-TF-60



INF-TF-72



Model	INF-TF-27	INF-TF-36	INF-TF-48	INF-TF-60	INF-TF-72
Classification	Freezer	Freezer	Freezer	Freezer	Freezer
Unit Dimension(WxDxH inch)	27 ^{1/2} ×30×36 ^{1/2}	36×30×36 ^{1/2}	48 ^{1/4} ×30×36 ^{1/2}	60 ^{1/4} ×30×36 ^{1/2}	72 ^{3/4} ×30×36 ^{1/2}
Shipping Dimension(WxDxH inch)	29 ^{1/4} ×31 ^{7/8} ×40 ^{1/2}	37 ^{7/8} ×31 ^{7/8} ×40 ^{1/2}	50×31 ^{7/8} ×40 ^{1/2}	62×31 ^{7/8} ×40 ^{1/2}	74 ^{1/2} ×31 ^{7/8} ×40 ^{1/2}
Inner Dimensions(WxDxH in)	23 ^{7/8} ×23 ^{5/8} ×26 ^{5/8}	32 ^{1/2} ×23 ^{5/8} ×26 ^{5/8}	44 ^{3/4} ×23 ^{5/8} ×26 ^{5/8}	56 ^{3/4} ×23 ^{5/8} ×26 ^{5/8}	69 ^{1/8} ×23 ^{5/8} ×26 ^{5/8}
Unit Dimension(WxDxH mm)	698×762×929	915×762×929	1225×762×929	1530×762×929	1846×762×929
Shipping Dimension(WxDxH mm)	745×810×1030	962×810×1030	1272×810×1030	1577×810×1030	1893×810×1030
Inner Dimensions(WxDxH mm)	608×601×678	825×601×678	1135×601×678	1440×601×678	1756×601×678
Capacity(L/Cuft)	202/7.1	274/9.7	368/13	476/16.8	576/20.3
Inner Temperature(°C)	-22~-18	-22~-18	-22~-18	-22~-18	-22~-18
Inner Temperature(°F)	-8~0	-8~0	-8~0	-8~0	-8~0
Refrigerant	R290	R290	R290	R290	R290
Insulation Type	Polyurethane/Cyclopentane+CFC Free				
Amps(A)	1.6	2.3	2.3	3	4.2
Voltage(V/Hz)	115/60	115/60	115/60	115/60	115/60
Power(W)	184	265	265	345	483
Number Of Doors	1	2	2	2	3

UNDERCOUNTER

COOLER



FEATURES:

Auto evaporation of defrosting water

Round corner design for inner bottom shelf to facilitate easy cleaning

Removable gasket that is easy to clean and replace.

Adjustable/removable plastic coated wire shelves

Cold air circulation via fan for temperature balance

Refrigeration unit holds 33°F to 41°F (0.5°C to 5°C)

Bottom-mounted cooling unit is easy to remove and clean.

Outstanding temperature preservation reduces energy consumption via foamed-in polyurethane cell insulation

Fuse equipped at the beam to prevent condensation

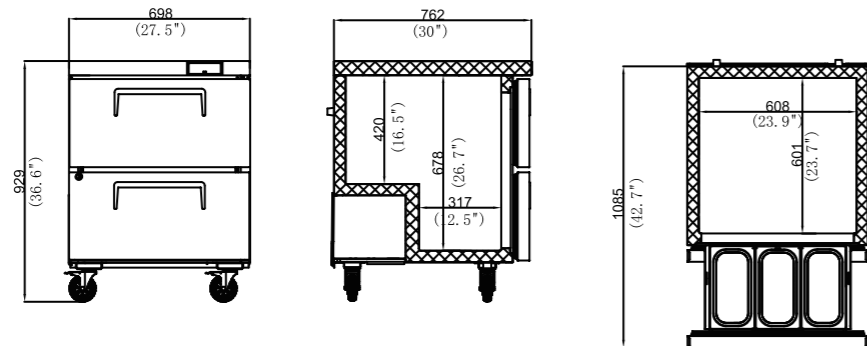
Self-closing and left/right hinge doors with lock & key

High-quality Digital thermostat (I.o.T function is optional)

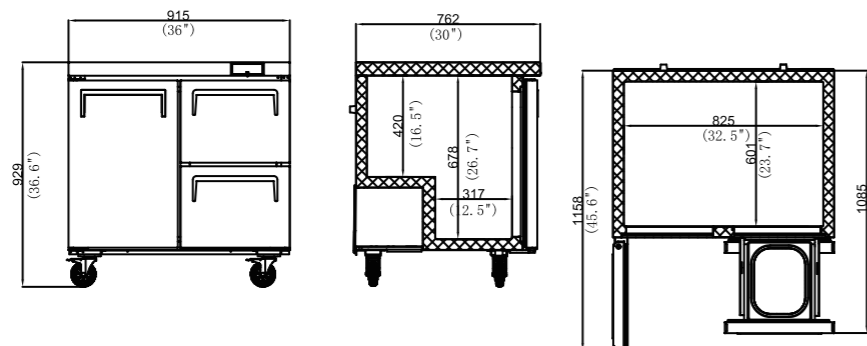
Black inner box models are optional

Drawer models are optional.

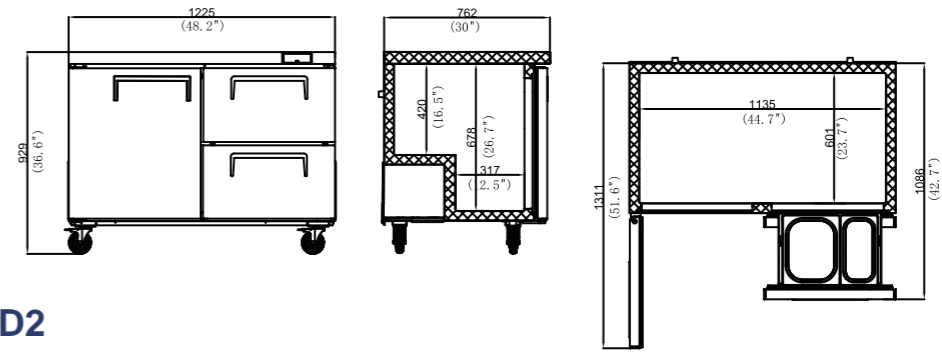
INF-TR-27D2



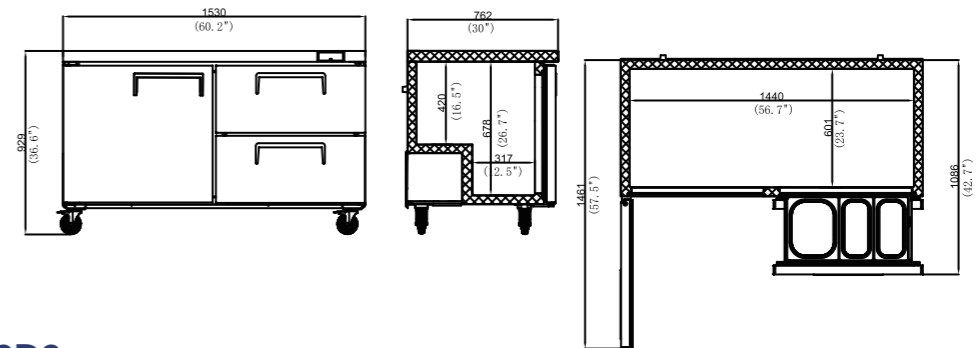
INF-TR-36D2



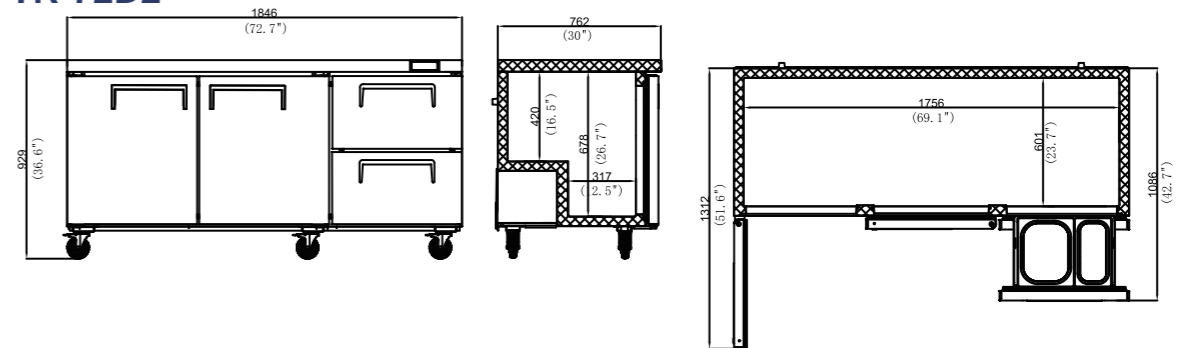
INF-TR-48D2



INF-TR-60D2



INF-TR-72D2



Model	INF-TR-27D2	INF-TR-36D2	INF-TR-48D2	MTR-60D2	INF-TR-72D2
Classification	Refrigerator	Refrigerator	Refrigerator	Refrigerator	Refrigerator
Unit Dimension(WxDxH inch)	27 ¹ / ₂ ×30×36 ¹ / ₂	36×30×36 ¹ / ₂	48 ¹ / ₄ ×30×36 ¹ / ₂	60 ¹ / ₄ ×30×36 ¹ / ₂	72 ³ / ₄ ×30×36 ¹ / ₂
Shipping Dimension(WxDxH in)	29 ¹ / ₄ ×31 ⁷ / ₈ ×40 ¹ / ₂	37 ⁷ / ₈ ×31 ⁷ / ₈ ×40 ¹ / ₂	50×31 ⁷ / ₈ ×40 ¹ / ₂	62×31 ⁷ / ₈ ×40 ¹ / ₂	74 ¹ / ₂ ×31 ⁷ / ₈ ×40 ¹ / ₂
Inner Dimensions(WxDxH in)	23 ⁷ / ₈ ×23 ⁵ / ₈ ×26 ⁵ / ₈	32 ¹ / ₂ ×23 ⁵ / ₈ ×26 ⁵ / ₈	44 ³ / ₄ ×23 ⁵ / ₈ ×26 ⁵ / ₈	56 ³ / ₄ ×23 ⁵ / ₈ ×26 ⁵ / ₈	69 ¹ / ₈ ×23 ⁵ / ₈ ×26 ⁵ / ₈
Unit Dimension(WxDxH mm)	698×762×929	915×762×929	1225×762×929	1530×762×929	1846×762×929
Shipping Dimension(WxDxH mm)	745×810×1030	962×810×1030	1272×810×1030	1577×810×1030	1893×810×1030
Inner Dimensions(WxDxH mm)	608×601×678	825×601×678	1135×601×678	1440×601×678	1756×601×678
Capacity(L/Cuft)	126/4.4	222.5/7.9	313.2/11.1	399.5/14.1	506/17.9
Inner Temperature(°C)	0.5~5	0.5~5	0.5~5	0.5~5	0.5~5
Inner Temperature(°F)	33~41	33~41	33~41	33~41	33~41
Refrigerant	R290	R290	R290	R290	R290
Insulation Type	Polyurethane/Cyclopentane+CFC Free				
Amps(A)	1.5	1.7	1.7	1.9	2
Voltage(V/Hz)	115/60	115/60	115/60	115/60	115/60
Power(W)	173	196	196	219	230
Number Of Doors	0	1	1	1	2

UNDERCOUNTER

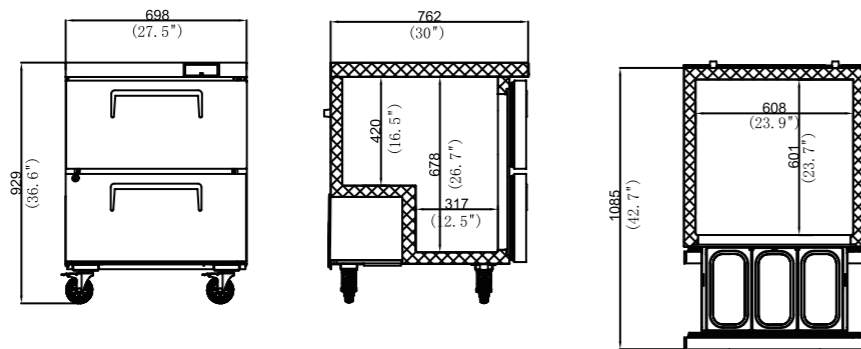
FREEZER



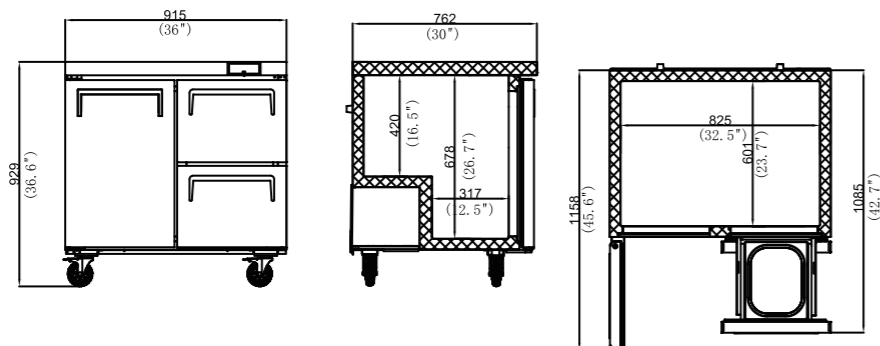
FEATURES:

- Auto evaporation of defrosting water
- Round corner design for inner bottom shelf to facilitate easy cleaning
- Removable gasket that is easy to clean and replace.
- Adjustable/removable plastic coated wire shelves
- Cold air circulation via fan for temperature balance
- Refrigeration unit holds -13°F to -5°F (-25°C to -20°C)
- Bottom-mounted cooling unit is easy to remove and clean.
- Outstanding temperature preservation reduces energy consumption via foamed-in polyurethane cell insulation
- Fuse equipped at the beam to prevent condensation
- Self-closing and left/right hinge doors with lock & key
- High-quality Digital thermostat (I.o.T function is optional)
- Black inner box models are optional

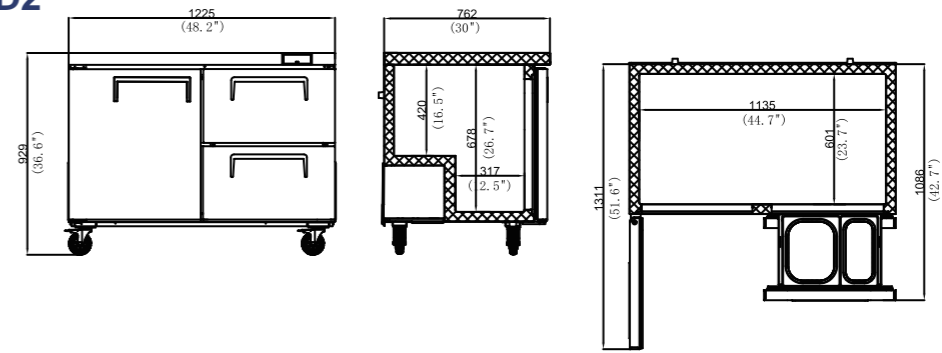
INF-TF-27D2



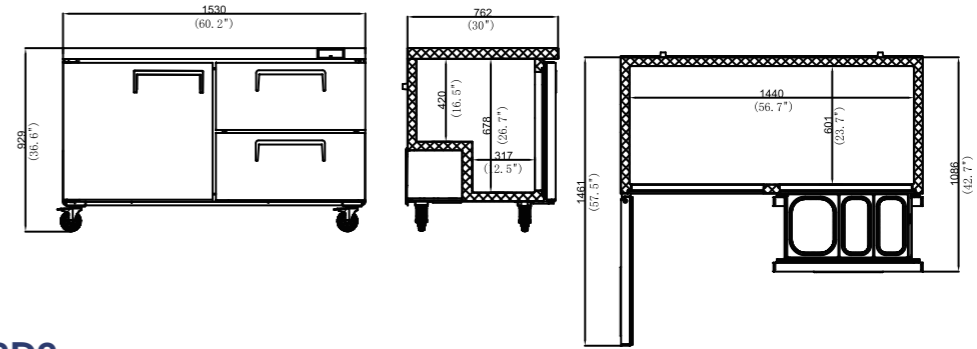
INF-TF-36D2



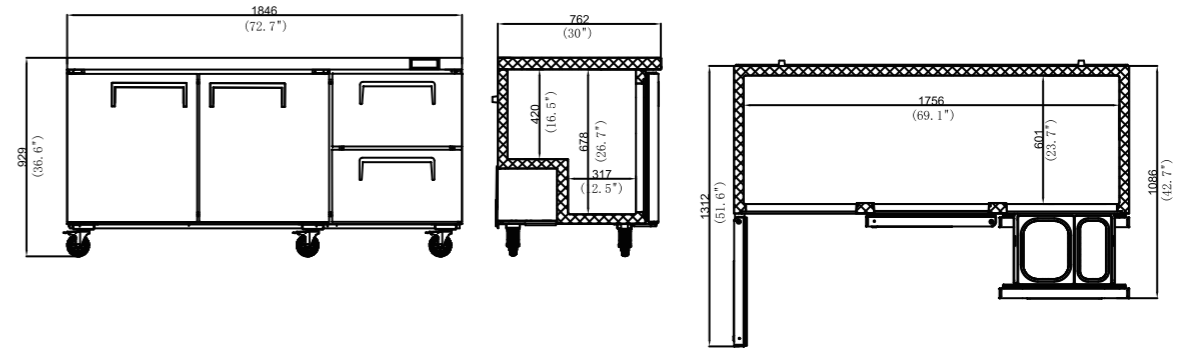
INF-TF-48D2



INF-TF-60D2



INF-TF-72D2



Model	INF-TF-27D2	INF-TF-36D2	INF-TF-48D2	INF-TF-60D2	INF-TF-72D2
Classification	Freezer	Freezer	Freezer	Freezer	Freezer
Unit Dimension(WxDxH inch)	27 ¹ / ₂ ×30×36 ¹ / ₂	36×30×36 ¹ / ₂	48 ¹ / ₄ ×30×36 ¹ / ₂	60 ¹ / ₄ ×30×36 ¹ / ₂	72 ³ / ₄ ×30×36 ¹ / ₂
Shipping Dimension(WxDxH in)	29 ¹ / ₄ ×31 ⁷ / ₈ ×40 ¹ / ₂	37 ⁷ / ₈ ×31 ⁷ / ₈ ×40 ¹ / ₂	50×31 ⁷ / ₈ ×40 ¹ / ₂	62×31 ⁷ / ₈ ×40 ¹ / ₂	74 ¹ / ₂ ×31 ⁷ / ₈ ×40 ¹ / ₂
Inner Dimensions(WxDxH in)	23 ⁷ / ₈ ×23 ⁵ / ₈ ×26 ⁵ / ₈	32 ¹ / ₂ ×23 ⁵ / ₈ ×26 ⁵ / ₈	44 ³ / ₄ ×23 ⁵ / ₈ ×26 ⁵ / ₈	56 ³ / ₄ ×23 ⁵ / ₈ ×26 ⁵ / ₈	69 ¹ / ₈ ×23 ⁵ / ₈ ×26 ⁵ / ₈
Unit Dimension(WxDxH mm)	698×762×929	915×762×929	1225×762×929	1530×762×929	1846×762×929
Shipping Dimension(WxDxH mm)	745×810×1030	962×810×1030	1272×810×1030	1577×810×1030	1893×810×1030
Inner Dimensions(WxDxH mm)	608×601×678	825×601×678	1135×601×678	1440×601×678	1756×601×678
Capacity(L/Cuft)	126/4.4	222.5/7.9	313.2/1.1	399.5/14.1	506/17.9
Inner Temperature(°C)	-22~-18	-22~-18	-22~-18	-22~-18	-22~-18
Inner Temperature(°F)	-8~0	-8~0	-8~0	-8~0	-8~0
Refrigerant	R290	R290	R290	R290	R290
Insulation Type	Polyurethane/Cyclopentane+CFC Free				
Amps(A)	1.6	2.3	2.3	3	4.2
Voltage(V/Hz)	115/60	115/60	115/60	115/60	115/60
Power(W)	184	265	265	345	483
Number Of Doors	0	1	1	1	2

WORKTOP

COOLER



FEATURES:

Auto evaporation of defrosting water

Round corner design for inner bottom shelf to facilitate easy cleaning

Removable gasket that is easy to clean and replace.

Adjustable/removable plastic coated wire shelves

Cold air circulation via fan for temperature balance

Refrigeration unit holds 33°F to 41°F (0.5°C to 5°C)

Bottom-mounted cooling unit is easy to remove and clean.

Outstanding temperature preservation reduces energy consumption via foamed-in polyurethane cell insulation

Fuse equipped at the beam to prevent condensation

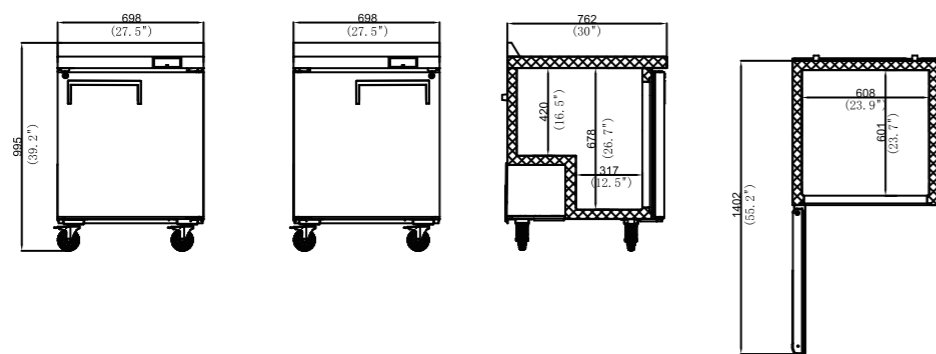
Self-closing and left/right hinge doors with lock & key

High-quality Digital thermostat (I.o.T function is optional)

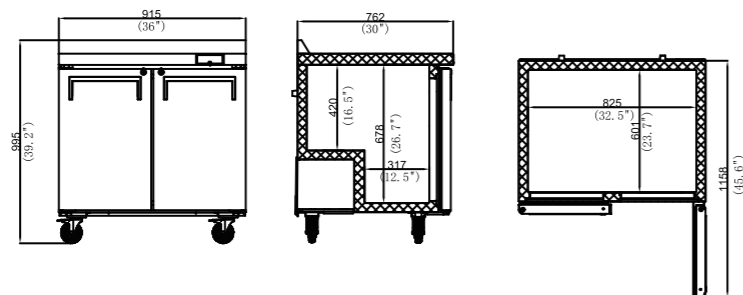
Black inner box models are optional

Drawer models are optional.

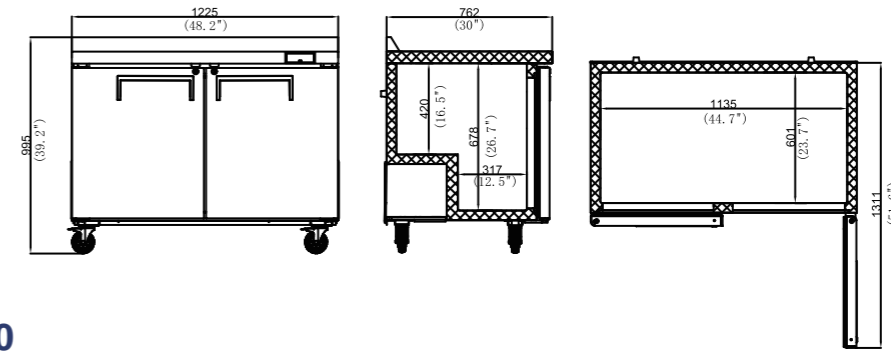
INF-WTR-27/INF-WTR-27-L



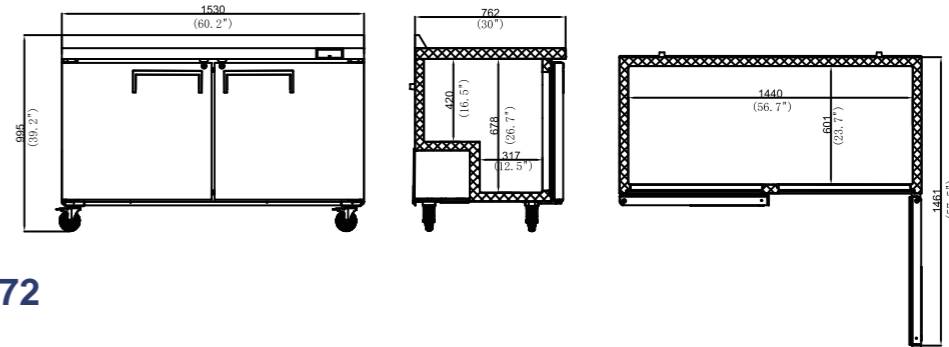
INF-WTR-36



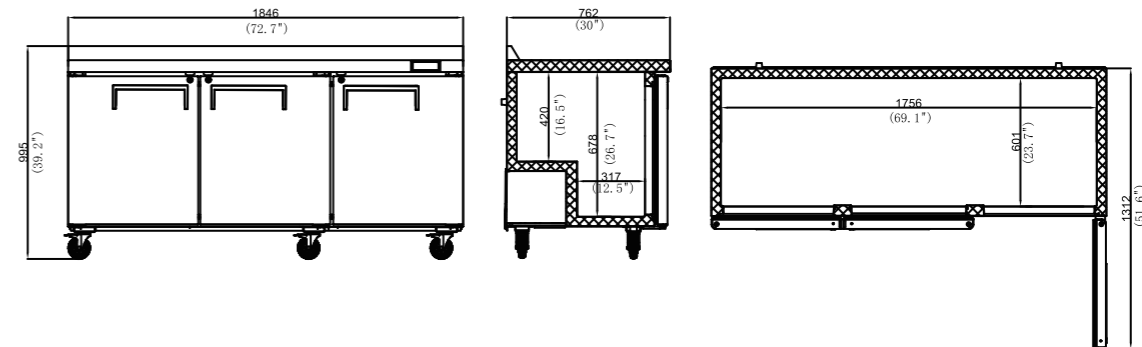
INF-WTR-48



INF-WTR-60



INF-WTR-72



Model	INF-WTR-27	INF-WTR-36	INF-WTR-48	INF-WTR-60	INF-vWTR-72
Classification	Refrigerator	Refrigerator	Refrigerator	Refrigerator	Refrigerator
Unit Dimension(WxDxH inch)	27 ¹ / ₂ *30*39 ¹ / ₄	36*30*39 ¹ / ₄	48 ¹ / ₄ *30*39 ¹ / ₄	60 ¹ / ₄ *30*39 ¹ / ₄	72 ³ / ₄ *30*39 ¹ / ₄
Shipping Dimension(WxDxH in)	29 ¹ / ₄ *31 ⁷ / ₈ *43 ¹ / ₄	37 ⁷ / ₈ *31 ⁷ / ₈ *43 ¹ / ₄	50*31 ⁷ / ₈ *43 ¹ / ₄	62*31 ⁷ / ₈ *43 ¹ / ₄	74 ¹ / ₂ *31 ⁷ / ₈ *43 ¹ / ₄
Inner Dimensions(WxDxH in)	23 ⁷ / ₈ *23 ³ / ₄ *26 ⁵ / ₈	32 ¹ / ₂ *23 ³ / ₄ *26 ⁵ / ₈	44 ³ / ₄ *23 ³ / ₄ *26 ⁵ / ₈	56 ³ / ₄ *23 ³ / ₄ *26 ⁵ / ₈	69 ¹ / ₈ *23 ³ / ₄ *26 ⁵ / ₈
Unit Dimension(WxDxH mm)	698*762*995	915*762*995	1225*762*995	1530*762*995	1846*762*995
Shipping Dimension(WxDxH mm)	745*810*1096	962*810*1096	1272*810*1096	1587*810*1096	1893*810*1096
Inner Dimensions(WxDxH mm)	608*601*678	825*601*678	1135*601*678	1440*601*678	1756*601*678
Capacity(L/Cuft)	202/7.1	274/9.7	368/13	476/16.8	576/20.3
Inner Temperature(°C)	0.5~5	0.5~5	0.5~5	0.5~5	0.5~5
Inner Temperature(°F)	33~41	33~41	33~41	33~41	33~41
Refrigerant	R290	R290	R290	R290	R290
Insulation Type	Polyurethane/Cyclopentane+CFC Free				
Amps(A)	1.5	1.7	1.7	1.9	2
Voltage(V/Hz)	115/60	115/60	115/60	115/60	115/60
Power(W)	173	196	196	219	230
Number Of Doors	1	2	2	2	3

WORKTOP

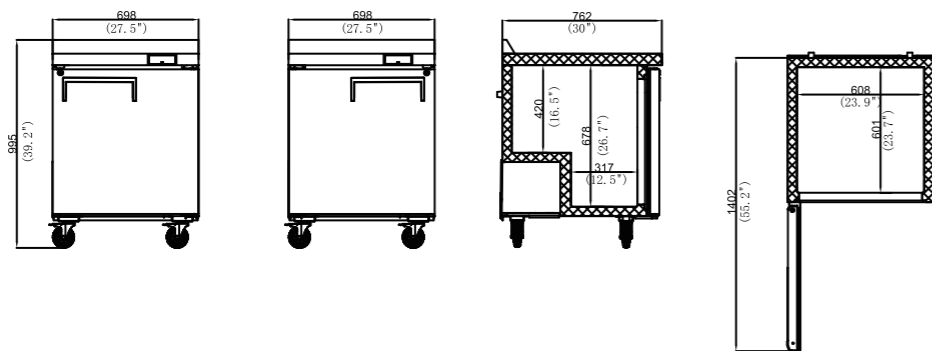
FREEZER



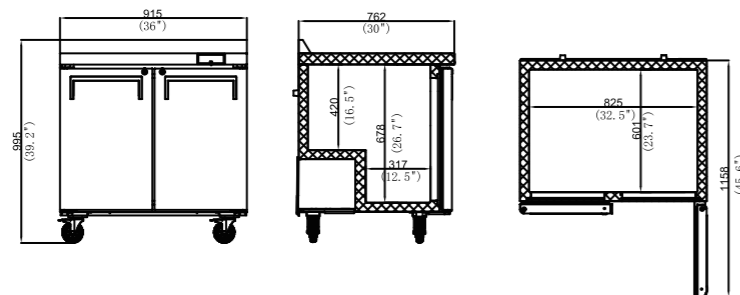
FEATURES:

- Auto evaporation of defrosting water
- Round corner design for inner bottom shelf to facilitate easy cleaning
- Removable gasket that is easy to clean and replace.
- Adjustable/removable plastic coated wire shelves
- Cold air circulation via fan for temperature balance
- Refrigeration unit holds -13°F to 5°F (-25°C to -15°C)
- Bottom-mounted cooling unit is easy to remove and clean.
- Outstanding temperature preservation reduces energy consumption via foamed-in polyurethane cell insulation
- Fuse equipped at the beam to prevent condensation
- Self-closing and left/right hinge doors with lock & key
- High-quality Digital thermostat (I.o.T function is optional)
- Black inner box models are optional
- Drawer models are optional.

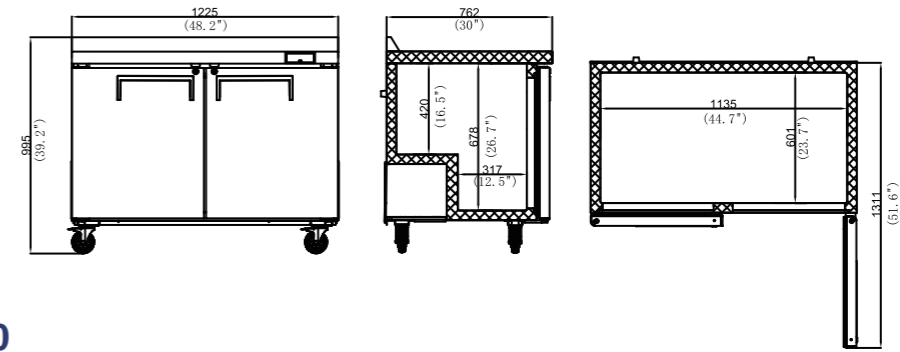
INF-WTF-27/INF-WTF-27-L



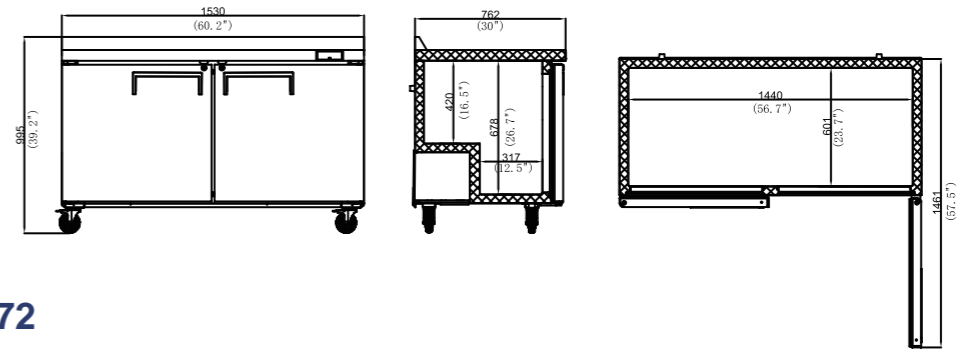
INF-WTF-36



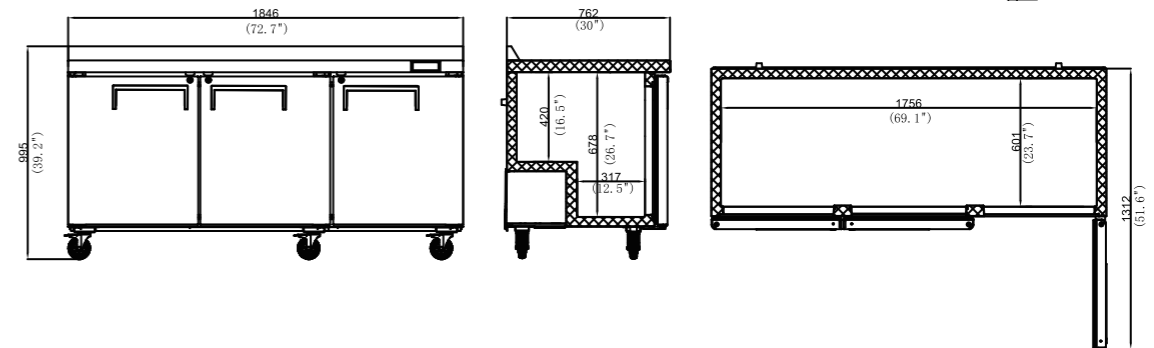
INF-WTF-48



INF-WTF-60



INF-WTF-72



Model	INF-WTF-27	INF-WTF-36	INF-WTF-48	INF-WTF-60	INF-WTF-72
Classification	Freezer	Freezer	Freezer	Freezer	Freezer
Unit Dimension(WxDxH inch)	27 ¹ / ₂ *30*39 ¹ / ₄	36*30*39 ¹ / ₄	48 ¹ / ₄ *30*39 ¹ / ₄	60 ¹ / ₄ *30*39 ¹ / ₄	72 ³ / ₄ *30*39 ¹ / ₄
Shipping Dimension(WxDxH in)	29 ¹ / ₄ *31 ⁷ / ₈ *43 ¹ / ₄	37 ⁷ / ₈ *31 ⁷ / ₈ *43 ¹ / ₄	50*31 ⁷ / ₈ *43 ¹ / ₄	62*31 ⁷ / ₈ *43 ¹ / ₄	74 ¹ / ₂ *31 ⁷ / ₈ *43 ¹ / ₄
Inner Dimensions(WxDxH in)	23 ⁷ / ₈ *23 ³ / ₄ *26 ⁵ / ₈	32 ¹ / ₂ *23 ³ / ₄ *26 ⁵ / ₈	44 ³ / ₄ *23 ³ / ₄ *26 ⁵ / ₈	56 ³ / ₄ *23 ³ / ₄ *26 ⁵ / ₈	69 ¹ / ₈ *23 ³ / ₄ *26 ⁵ / ₈
Unit Dimension(WxDxH mm)	698*762*995	915*762*995	1225*762*995	1530*762*995	1846*762*995
Shipping Dimension(WxDxH mm)	745*810*1096	962*810*1096	1272*810*1096	1577*810*1096	1893*810*1096
Inner Dimensions(WxDxH mm)	608*601*678	825*601*678	1135*601*678	1440*601*678	1756*601*678
Capacity(L/Cuft)	202/7.1	274/9.7	368/13	476/16.8	576/20.3
Inner Temperature(°C)	-22~-18	-22~-18	-22~-18	-22~-18	-22~-18
Inner Temperature(°F)	-8~0	-8~0	-8~0	-8~0	-8~0
Refrigerant	R290	R290	R290	R290	R290
Insulation Type	Polyurethane/Cyclopentane+CFC Free				
Amps(A)	1.6	2.3	2.3	3	4.2
Voltage(V/Hz)	115/60	115/60	115/60	115/60	115/60
Power(W)	184	265	265	345	483
Number Of Doors	1	2	2	2	3

WORKTOP

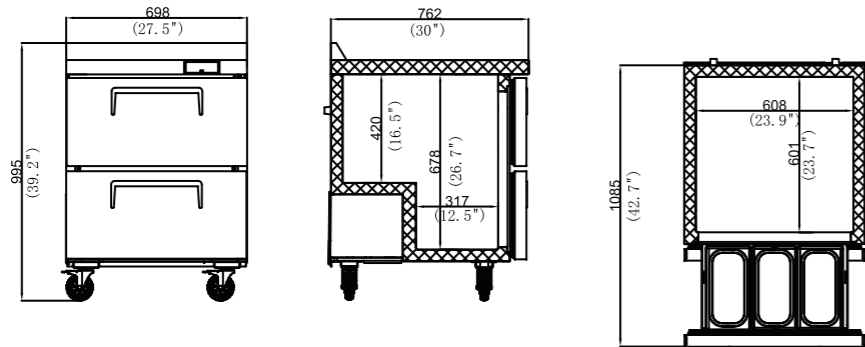
COOLER



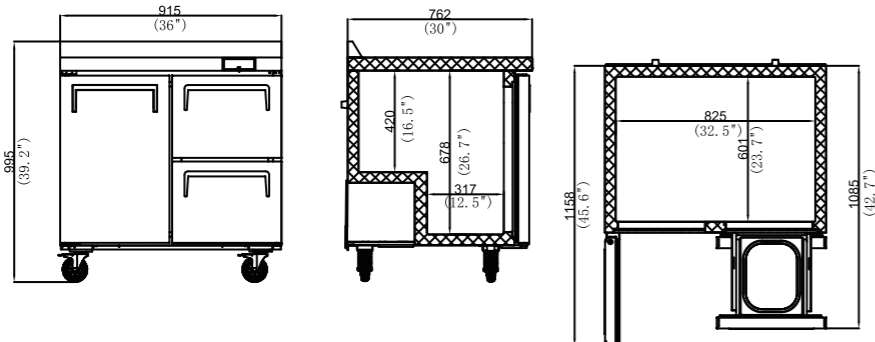
FEATURES:

- Auto evaporation of defrosting water
- Round corner design for inner bottom shelf to facilitate easy cleaning
- Removable gasket that is easy to clean and replace.
- Adjustable/removable plastic coated wire shelves
- Cold air circulation via fan for temperature balance
- Refrigeration unit holds 33°F to 41°F (0.5°C to 5°C)
- Bottom-mounted cooling unit is easy to remove and clean.
- Outstanding temperature preservation reduces energy consumption via foamed-in polyurethane cell insulation
- Fuse equipped at the beam to prevent condensation
- Self-closing and left/right hinge doors with lock & key
- High-quality Digital thermostat (I.o.T function is optional)
- Black inner box models are optional
- Drawer models are optional.

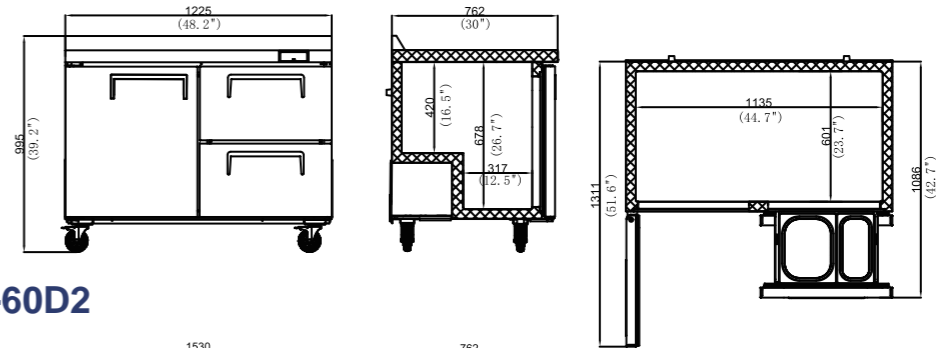
INF-WTR-27D2



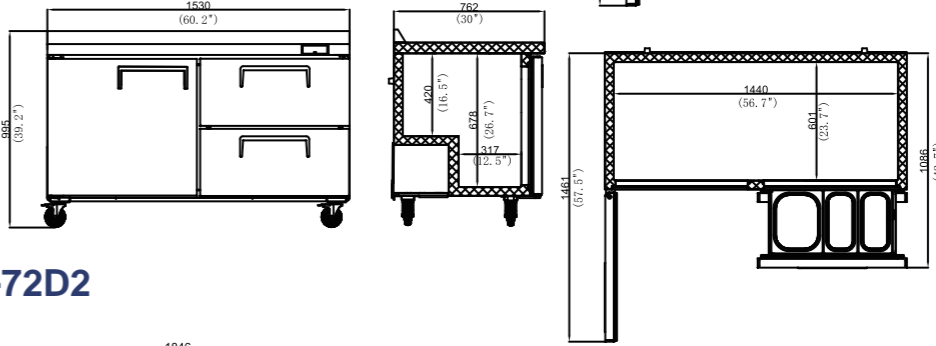
INF-WTR-36D2



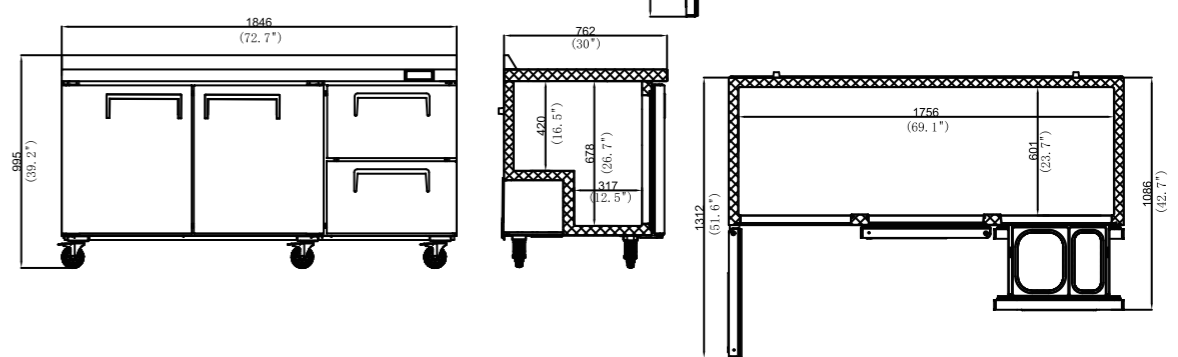
INF-WTR-48D2



INF-WTR-60D2



INF-WTR-72D2



Model	INF-WTR-27D2	INF-WTR-36D2	INF-WTR-48D2	INF-WTR-60D2	INF-WTR-72D2
Classification	Refrigerator	Refrigerator	Refrigerator	Refrigerator	Refrigerator
Unit Dimension(WxDxH inch)	27 ^{1/2} ×30×39 ^{1/4}	36×30×39 ^{1/4}	48 ^{1/4} ×30×39 ^{1/4}	60 ^{1/4} ×30×39 ^{1/4}	72 ^{3/4} ×30×39 ^{1/4}
Shipping Dimension(WxDxH in)	29 ^{1/4} ×31 ^{7/8} ×43 ^{1/4}	37 ^{7/8} ×31 ^{7/8} ×43 ^{1/4}	50×31 ^{7/8} ×43 ^{1/4}	62×31 ^{7/8} ×43 ^{1/4}	74 ^{1/2} ×31 ^{7/8} ×43 ^{1/4}
Inner Dimensions(WxDxH in)	23 ^{7/8} ×23 ^{5/8} ×26 ^{5/8}	32 ^{1/2} ×23 ^{5/8} ×26 ^{5/8}	44 ^{3/4} ×23 ^{5/8} ×26 ^{5/8}	56 ^{3/4} ×23 ^{5/8} ×26 ^{5/8}	69 ^{1/8} ×23 ^{5/8} ×26 ^{5/8}
Unit Dimension(WxDxH mm)	698×762×995	915×762×995	1225×762×995	1530×762×995	1846×762×995
Shipping Dimension(WxDxH mm)	745×810×1096	962×810×1096	1272×810×1096	1577×810×1096	1893×810×1096
Inner Dimensions(WxDxH mm)	608×601×678	825×601×678	1135×601×678	1440×601×678	1756×601×678
Capacity(L/Cuft)	126/4.4	222.5/7.9	313.2/11.1	399.5/14.1	506/17.9
Inner Temperature(°C)	0.5~5	0.5~5	0.5~5	0.5~5	0.5~5
Inner Temperature(°F)	33~41	33~41	33~41	33~41	33~41
Refrigerant	R290	R290	R290	R290	R290
Insulation Type	Polyurethane/Cyclopentane+CFC Free				
Amps(A)	1.5	1.7	1.7	1.9	2
Voltage(V/Hz)	115/60	115/60	115/60	115/60	115/60
Power(W)	173	196	196	219	230
Number Of Doors	0	1	1	1	2

WORKTOP

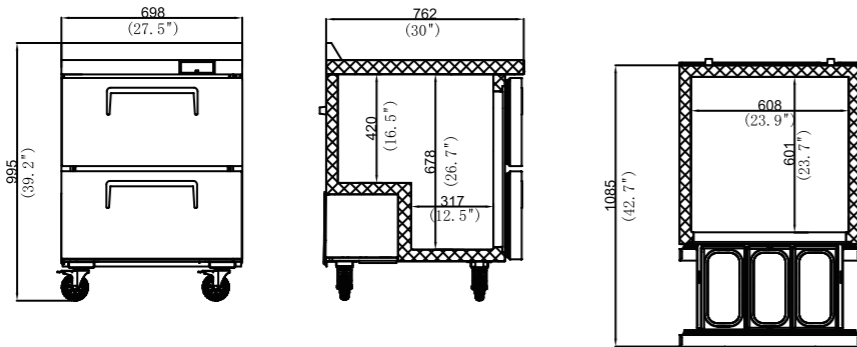
FREEZER



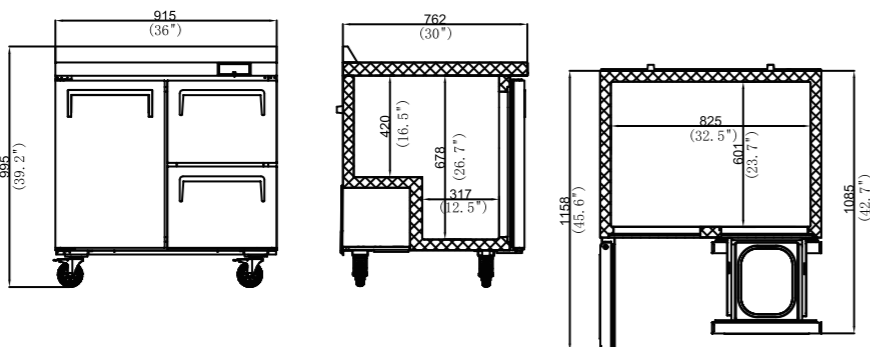
FEATURES:

- Auto evaporation of defrosting water
- Round corner design for inner bottom shelf to facilitate easy cleaning
- Removable gasket that is easy to clean and replace.
- Adjustable/removable plastic coated wire shelves
- Cold air circulation via fan for temperature balance
- Refrigeration unit holds -13°F to 5°F (-25°C to -15°C)
- Bottom-mounted cooling unit is easy to remove and clean.
- Outstanding temperature preservation reduces energy consumption via foamed-in polyurethane cell insulation
- Fuse equipped at the beam to prevent condensation
- Self-closing and left/right hinge doors with lock & key
- High-quality Digital thermostat (I.o.T function is optional)
- Black inner box models are optional
- Drawer models are optional.

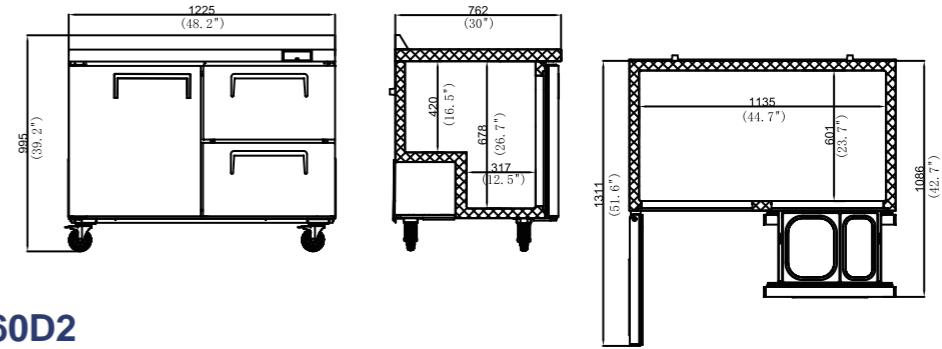
INF-WTF-27D2



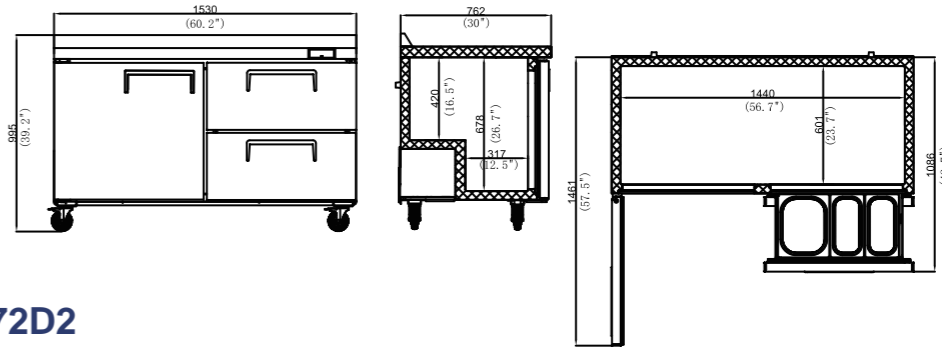
INF-WTF-36D2



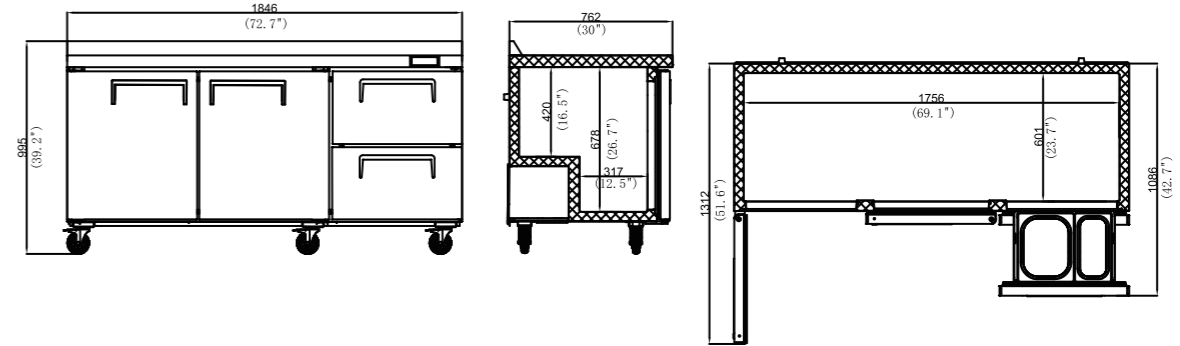
INF-WTF-48D2



INF-WTF-60D2



INF-WTF-72D2



Model	INF-WTF-27D2	INF-WTF-36D2	INF-WTF-48D2	INF-WTF-60D2	INF-WTF-72D2
Classification	Freezer	Freezer	Freezer	Freezer	Freezer
Unit Dimension(WxDxH inch)	27 ¹ / ₂ ×30×39 ¹ / ₄	36×30×39 ¹ / ₄	48 ¹ / ₄ ×30×39 ¹ / ₄	60 ¹ / ₄ ×30×39 ¹ / ₄	72 ³ / ₄ ×30×39 ¹ / ₄
Shipping Dimension(WxDxH in)	29 ¹ / ₄ ×31 ⁷ / ₈ ×43 ¹ / ₄	37 ⁷ / ₈ ×31 ⁷ / ₈ ×43 ¹ / ₄	50×31 ⁷ / ₈ ×43 ¹ / ₄	62×31 ⁷ / ₈ ×43 ¹ / ₄	74 ¹ / ₂ ×31 ⁷ / ₈ ×43 ¹ / ₄
Inner Dimensions(WxDxH in)	23 ⁷ / ₈ ×23 ⁵ / ₈ ×26 ⁵ / ₈	32 ¹ / ₂ ×23 ⁵ / ₈ ×26 ⁵ / ₈	44 ³ / ₄ ×23 ⁵ / ₈ ×26 ⁵ / ₈	56 ³ / ₄ ×23 ⁵ / ₈ ×26 ⁵ / ₈	69 ¹ / ₈ ×23 ⁵ / ₈ ×26 ⁵ / ₈
Unit Dimension(WxDxH mm)	698×762×995	915×762×995	1225×762×995	1530×762×995	1846×762×995
Shipping Dimension(WxDxH mm)	745×810×1096	962×810×1096	1272×810×1096	1577×810×1096	1893×810×1096
Inner Dimensions(WxDxH mm)	608×601×678	825×601×678	1135×601×678	1440×601×678	1756×601×678
Capacity(L/Cuft)	126/4.4	222.5/7.9	313.2/11.1	399.5/14.1	506/17.9
Inner Temperature(°C)	-22~-18	-22~-18	-22~-18	-22~-18	-22~-18
Inner Temperature(°F)	-8~0	-8~0	-8~0	-8~0	-8~0
Refrigerant	R290	R290	R290	R290	R290
Insulation Type	Polyurethane/Cyclopentane+CFC Free				
Amps(A)	1.5	2.3	2.3	3	4.2
Voltage(V/Hz)	115/60	115/60	115/60	115/60	115/60
Power(W)	186	265	265	345	483
Number Of Doors	0	1	1	1	2

SALAD TABLE

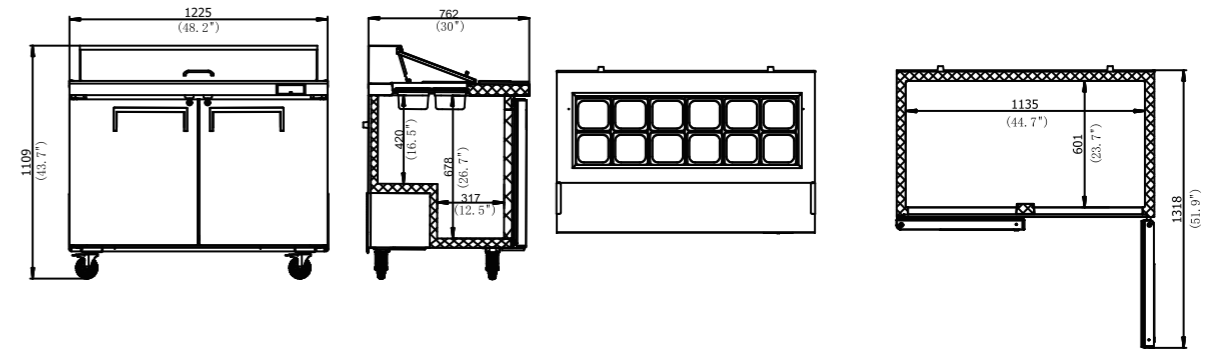
COOLER



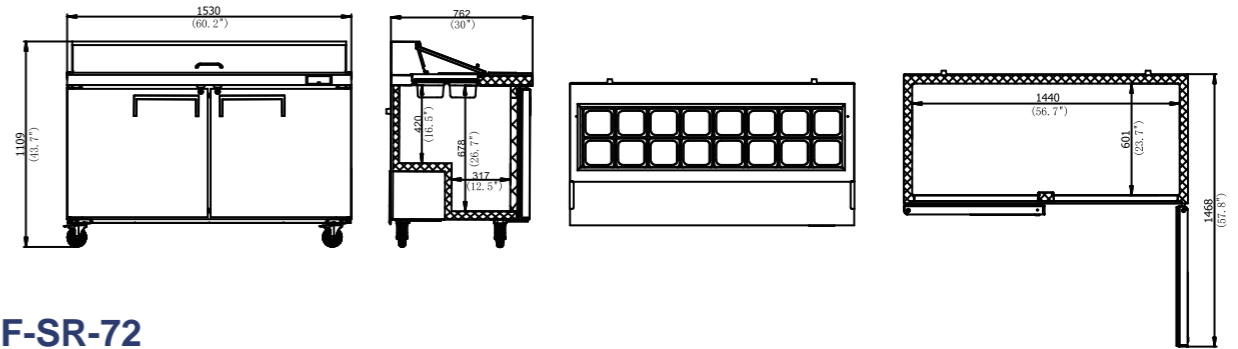
FEATURES:

- Auto evaporation of defrosting water
- Round corner design for inner bottom shelf to facilitate easy cleaning
- Removable gasket that is easy to clean and replace.
- Adjustable/removable plastic coated wire shelves
- Cold air circulation via fan for temperature balance
- Refrigeration unit holds 33°F to 41°F (0.5°C to 5°C)
- Bottom-mounted cooling unit is easy to remove and clean.
- Outstanding temperature preservation reduces energy consumption via foamed-in polyurethane cell insulation
- Fuse equipped at the beam to prevent condensation
- Self-closing and left/right hinge doors with lock & key
- High-quality Digital thermostat (I.o.T function is optional)
- Drawer models are optional.
- Black inner box models are optional

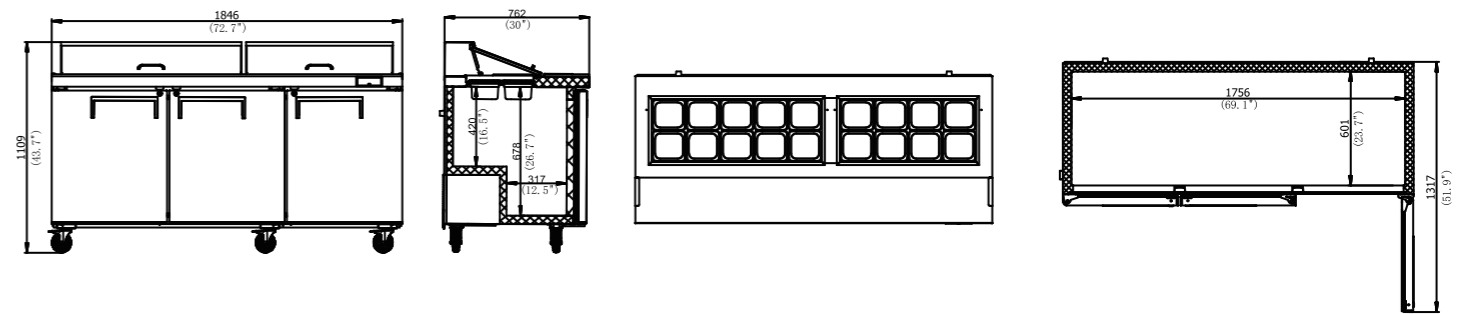
INF-SR-48



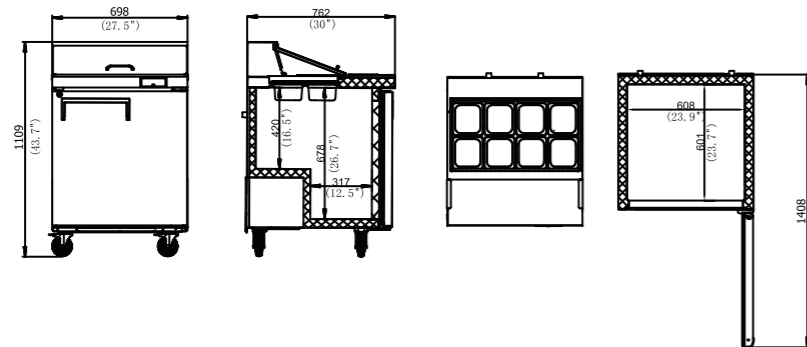
INF-SR-60



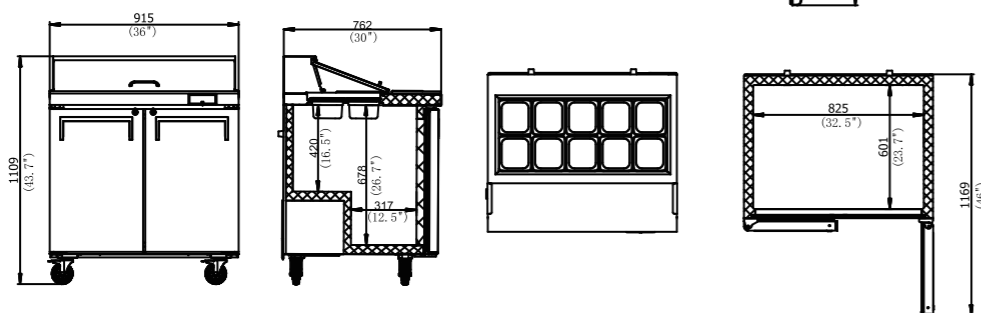
INF-SR-72



INF-SR-27



INF-SR-36



Model	INF-SR-27	INF-SR-36	INF-SR-48	INF-SR-60	INF-SR-72
Classification	Refrigerator	Refrigerator	Refrigerator	Refrigerator	Refrigerator
Unit Dimension(WxDxH inch)	27 ^{1/2} ×30×43 ^{3/4}	36×30×43 ^{3/4}	48 ^{1/4} ×30×43 ^{3/4}	60 ^{1/4} ×30×43 ^{3/4}	72 ^{3/4} ×30×43 ^{3/4}
Shipping Dimension(WxDxH in)	29 ^{3/4} ×31 ^{7/8} ×40 ^{5/8}	38 ^{1/8} ×31 ^{7/8} ×40 ^{5/8}	50 ^{1/2} ×31 ^{7/8} ×40 ^{5/8}	62 ^{1/2} ×31 ^{7/8} ×40 ^{5/8}	75×31 ^{7/8} ×40 ^{5/8}
Inner Dimensions(WxDxH in)	23 ^{7/8} ×23 ^{3/4} ×26 ^{1/4}	32 ^{1/2} ×23 ^{5/8} ×26 ^{5/8}	44 ^{3/4} ×23 ^{5/8} ×26 ^{5/8}	56 ^{3/4} ×23 ^{5/8} ×26 ^{5/8}	69 ^{1/8} ×23 ^{5/8} ×26 ^{5/8}
Unit Dimension(WxDxH mm)	698×762×1109	915×762×1109	1225×762×1109	1530×762×1109	1846×762×1109
Shipping Dimension(WxDxH mm)	755×810×1220	972×810×1220	1282×810×1220	1587×810×1220	1903×810×1220
Inner Dimensions(WxDxH mm)	608×601×678	825×601×678	1135×601×678	1440×601×678	1756×601×678
Capacity(L/Cuft)	202/7.1	274/9.7	368/13	476/16.8	576/20.3
Inner Temperature(°C)	0.5~5	0.5~5	0.5~5	0.5~5	0.5~5
Inner Temperature(°F)	33~41	33~41	33~41	33~41	33~41
Refrigerant	R290	R290	R290	R290	R290
Insulation Type	Polyurethane/Cyclopentane+CFC Free				
Amps(A)	1.8	1.8	1.8	2.9	3.2
Voltage(V/Hz)	115/60	115/60	115/60	115/60	115/60
Power(W)	207	207	207	333.5	368
Number Of Doors	1	2	2	2	3

SALAD TABLE

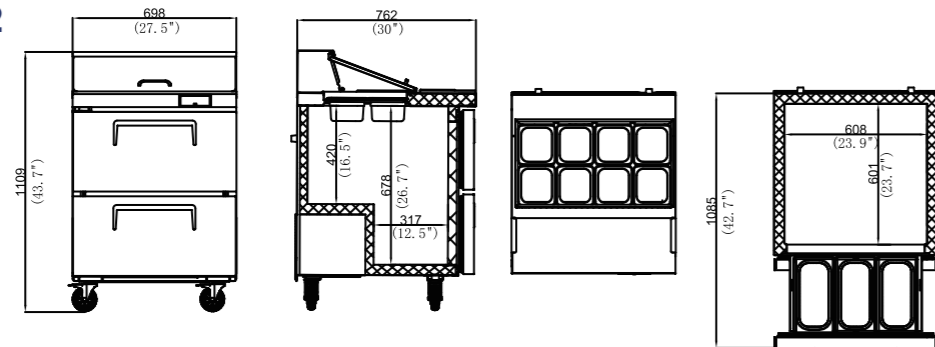
COOLER



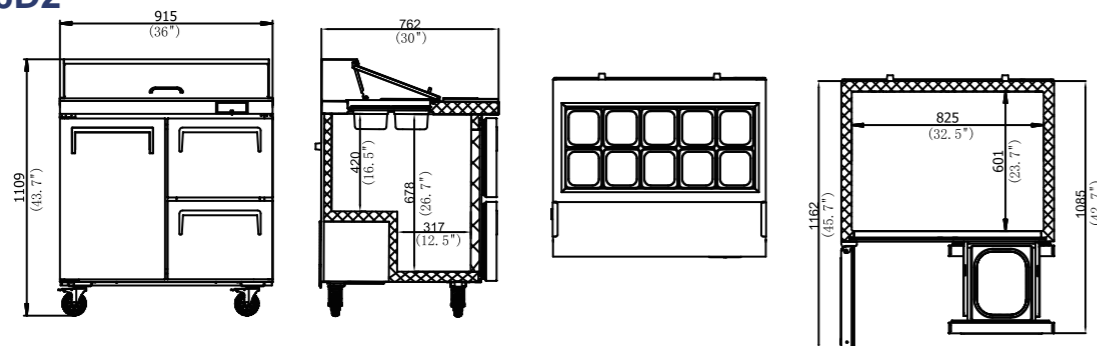
FEATURES:

- Auto evaporation of defrosting water
- Round corner design for inner bottom shelf to facilitate easy cleaning
- Removable gasket that is easy to clean and replace.
- Adjustable/removable plastic coated wire shelves
- Cold air circulation via fan for temperature balance
- Refrigeration unit holds 33°F to 41°F (0.5°C to 5°C)
- Bottom-mounted cooling unit is easy to remove and clean.
- Outstanding temperature preservation reduces energy consumption via foamed-in polyurethane cell insulation
- Fuse equipped at the beam to prevent condensation
- Self-closing and left/right hinge doors with lock & key
- High-quality Digital thermostat (I.o.T function is optional)
- Drawer models are optional.
- Black inner box models are optional

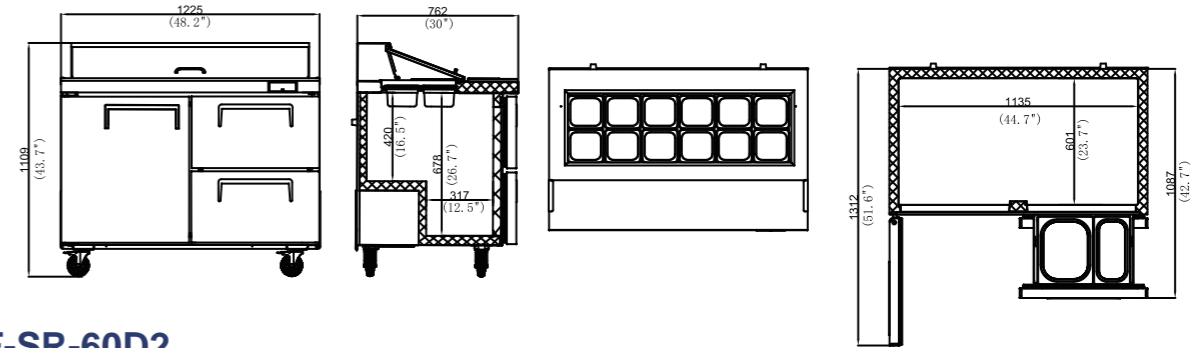
INF-SR-27D2



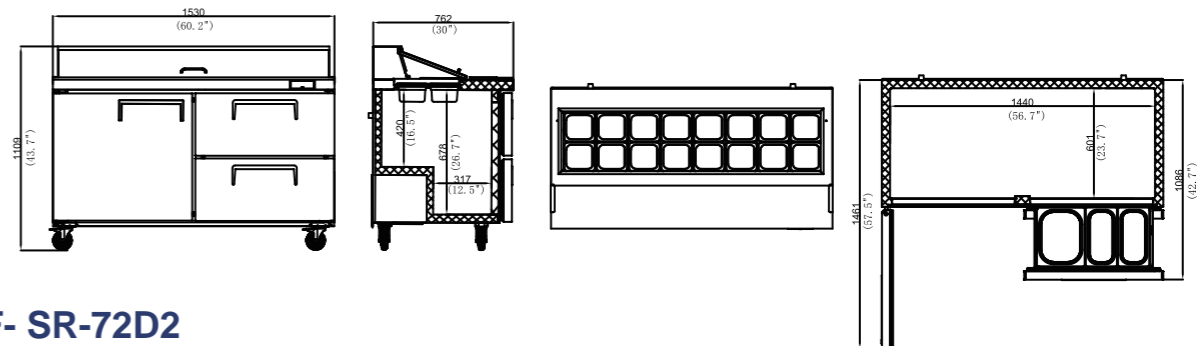
INF-SR-36D2



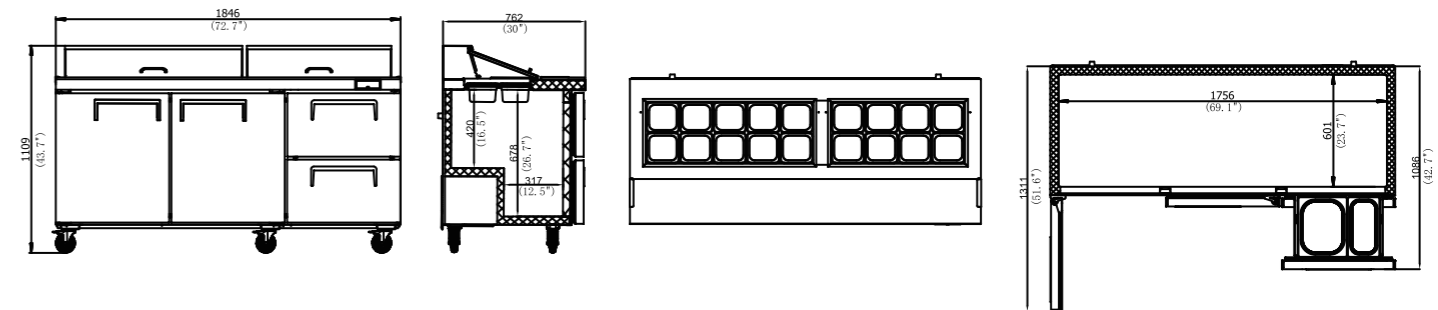
INF-SR-48D2



INF-SR-60D2



INF-SR-72D2



Model	INF-SR-27D2	INF-SR-36D2	INF-SR-48D2	INF-SR-60D2	INF-SR-72D2
Classification	Refrigerator	Refrigerator	Refrigerator	Refrigerator	Refrigerator
Unit Dimension(WxDxH inch)	27 ¹ / ₂ ×30×43 ³ / ₄	36×30×43 ³ / ₄	48 ¹ / ₄ ×30×43 ³ / ₄	60 ¹ / ₄ ×30×43 ³ / ₄	72 ³ / ₄ ×30×43 ³ / ₄
Shipping Dimension(WxDxH in)	29 ³ / ₄ ×31 ⁷ / ₈ ×40 ⁵ / ₈	38 ¹ / ₄ ×31 ⁷ / ₈ ×40 ⁵ / ₈	50 ¹ / ₂ ×31 ⁷ / ₈ ×40 ⁵ / ₈	62 ¹ / ₂ ×31 ⁷ / ₈ ×40 ⁵ / ₈	75×31 ⁷ / ₈ ×40 ⁵ / ₈
Inner Dimensions(WxDxH in)	23 ⁷ / ₈ ×23 ³ / ₄ ×26 ¹ / ₄	32 ¹ / ₂ ×23 ⁵ / ₈ ×26 ⁵ / ₈	44 ³ / ₄ ×23 ⁵ / ₈ ×26 ⁵ / ₈	56 ³ / ₄ ×23 ⁵ / ₈ ×26 ⁵ / ₈	69 ¹ / ₈ ×23 ⁵ / ₈ ×26 ⁵ / ₈
Unit Dimension(WxDxH mm)	698×762×1109	915×762×1109	1225×762×1109	1530×762×1109	1846×762×1109
Shipping Dimension(WxDxH mm)	755×810×1220	962×810×1220	1282×810×1220	1587×810×1220	1903×810×1220
Inner Dimensions(WxDxH mm)	608×601×678	825×601×678	1135×601×678	1440×601×678	1756×601×678
Capacity(L/Cuft)	126/4.4	222.5/7.9	313.2/11.1	399.5/14.1	576/20.3
Inner Temperature(°C)	0.5~5	0.5~5	0.5~5	0.5~5	0.5~5
Inner Temperature(°F)	33~41	33~41	33~41	33~41	33~41
Refrigerant	R290	R290	R290	R290	R290
Insulation Type	Polyurethane/Cyclopentane+CFC Free				
Amps(A)	1.8	1.8	1.8	2.9	3.2
Voltage(V/Hz)	115/60	115/60	115/60	115/60	115/60
Power(W)	207	207	207	334	368
Number Of Doors	0	1	1	1	2

SALAD TABLE

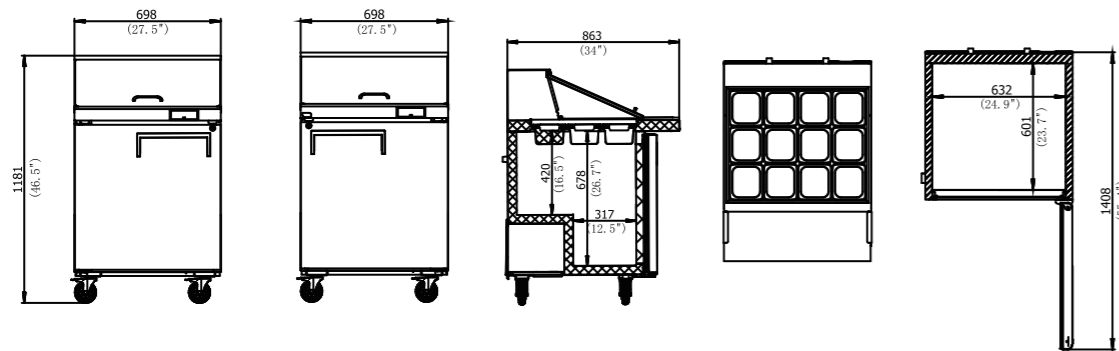
COOLER



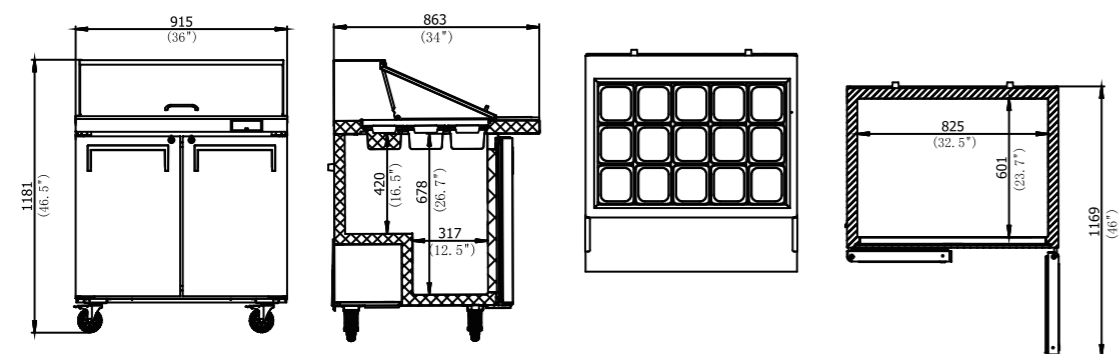
FEATURES:

- Auto evaporation of defrosting water
- Round corner design for inner bottom shelf to facilitate easy cleaning
- Removable gasket that is easy to clean and replace.
- Adjustable/removable plastic coated wire shelves
- Cold air circulation via fan for temperature balance
- Refrigeration unit holds 33°F to 41°F (0.5°C to 5°C)
- Bottom-mounted cooling unit is easy to remove and clean.
- Outstanding temperature preservation reduces energy consumption via foamed-in polyurethane cell insulation
- Fuse equipped at the beam to prevent condensation
- Self-closing and left/right hinge doors with lock & key
- High-quality Digital thermostat (I.o.T function is optional)
- Drawer models are optional.
- Black inner box models are optional

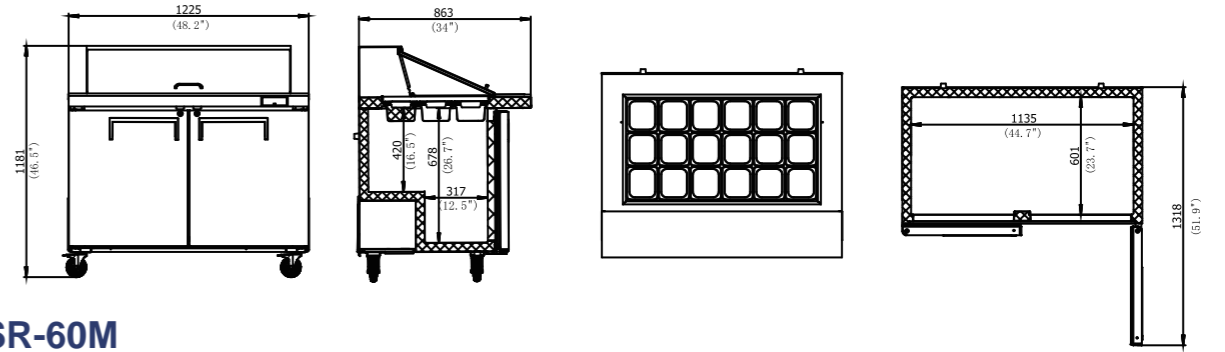
MSR-27M



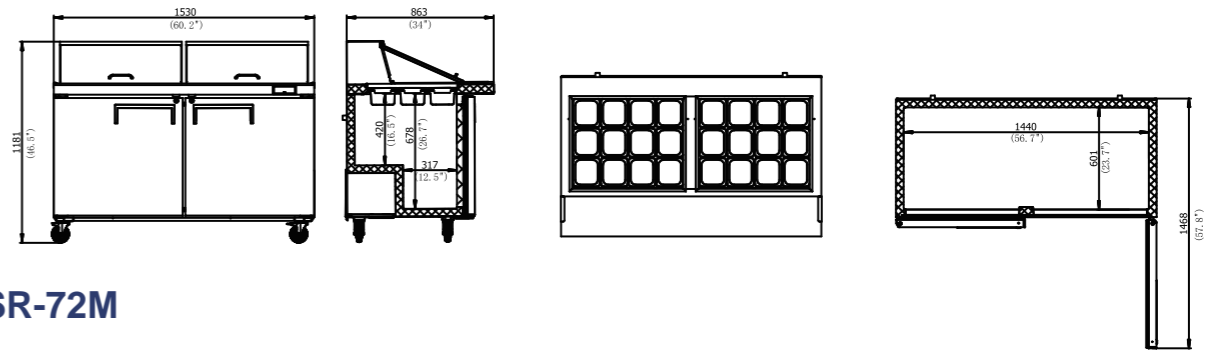
MSR-36M



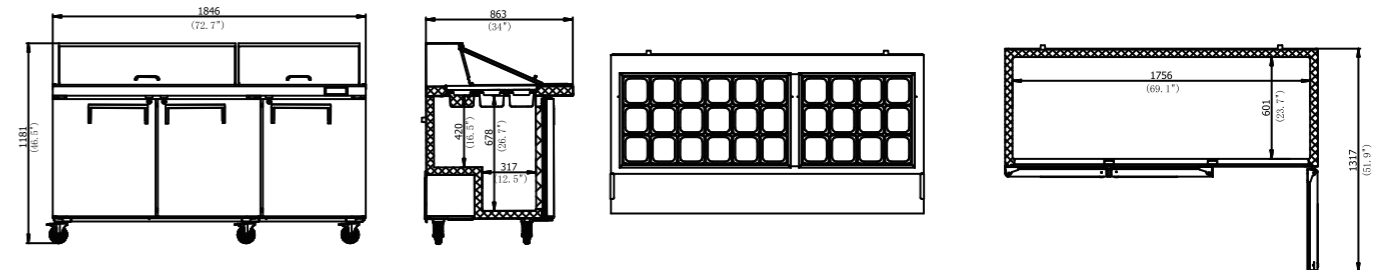
MSR-48M



MSR-60M



MSR-72M



Model	INF-SR-27M	INF-SR-36M	INF-SR-48M	INF-SR-60M	INF-SR-72M
Classification	Refrigerator	Refrigerator	Refrigerator	Refrigerator	Refrigerator
Unit Dimension(WxDxH inch)	27 ¹ / ₂ ×34×46 ¹ / ₂	36×34×46 ¹ / ₂	48 ¹ / ₄ ×34×46 ¹ / ₂	60 ¹ / ₄ ×34×46 ¹ / ₂	72 ³ / ₄ ×34×46 ¹ / ₂
Shipping Dimension(WxDxH inch)	29 ³ / ₄ ×31 ⁷ / ₈ ×50 ¹ / ₈	38 ¹ / ₄ ×31 ⁷ / ₈ ×50 ¹ / ₈	50 ¹ / ₂ ×31 ⁷ / ₈ ×50 ¹ / ₈	62 ¹ / ₂ ×31 ⁷ / ₈ ×50 ¹ / ₈	75×31 ⁷ / ₈ ×50 ¹ / ₈
Inner Dimensions(WxDxH in)	23 ⁷ / ₈ ×23 ⁵ / ₈ ×26 ⁵ / ₈	32 ¹ / ₂ ×23 ⁵ / ₈ ×26 ⁵ / ₈	44 ³ / ₄ ×23 ⁵ / ₈ ×26 ⁵ / ₈	56 ³ / ₄ ×23 ⁵ / ₈ ×26 ⁵ / ₈	69 ¹ / ₈ ×23 ⁵ / ₈ ×26 ⁵ / ₈
Unit Dimension(WxDxH mm)	698×863×1181	915×863×1181	1225×863×1181	1530×863×1181	1846×863×1181
Shipping Dimension(WxDxH mm)	755×910×1275	972×910×1275	1282×910×1275	1587×910×1275	1903×910×1275
Inner Dimensions(WxDxH mm)	608×601×678	825×601×678	1135×601×678	1440×601×678	1756×601×678
Capacity(L/Cuft)	202/7.1	274/9.7	368/13	476/16.8	576/20.3
Inner Temperature(°C)	0.5~5	0.5~5	0.5~5	0.5~5	0.5~5
Inner Temperature(°F)	33~41	33~41	33~41	33~41	33~41
Refrigerant	R290	R290	R290	R290	R290
Insulation Type	Polyurethane/Cyclopentane+CFC Free				
Amps(A)	1.8	1.8	1.8	2.9	3.2
Voltage(V/Hz)	115/60	115/60	115/60	115/60	115/60
Power(W)	207	207	207	333.5	368
Number Of Doors	1	2	2	2	3

PIZZA TABLE

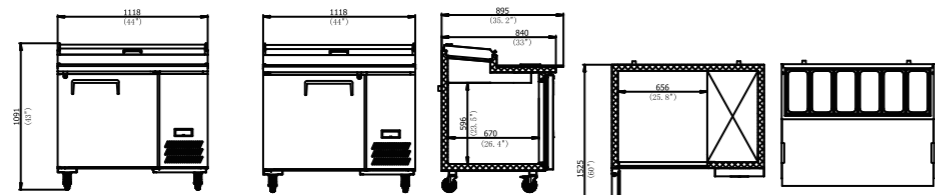
COOLER



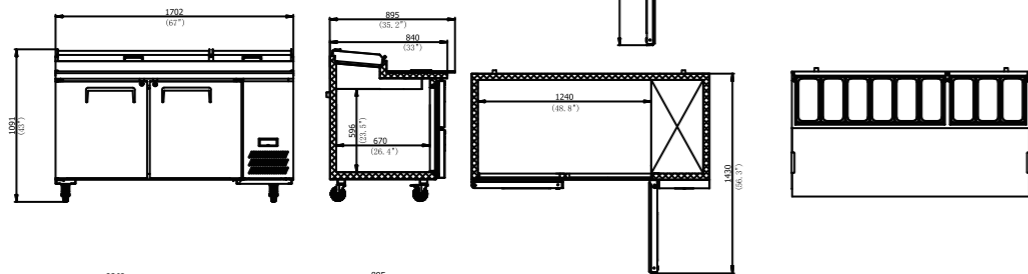
FEATURES:

- Auto evaporation of defrosting water
- Round corner design for inner bottom shelf to facilitate easy cleaning
- Removable gasket that is easy to clean and replace.
- Adjustable/removable plastic coated wire shelves
- Cold air circulation via fan for temperature balance
- Refrigeration unit holds 33°F to 41°F (0.5°C to 5°C)
- Bottom-mounted cooling unit is easy to remove and clean.
- Outstanding temperature preservation reduces energy consumption via foamed-in polyurethane cell insulation
- Fuse equipped at the beam to prevent condensation
- Self-closing and left/right hinge doors with lock & key
- High-quality Digital thermostat (I.o.T function is optional)
- Black inner box models are optional
- Drawer models are optional.

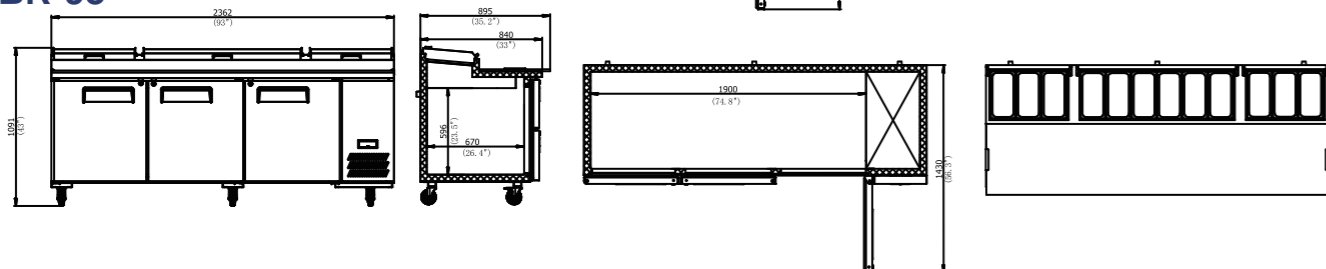
MBR-44/MBR-44-L



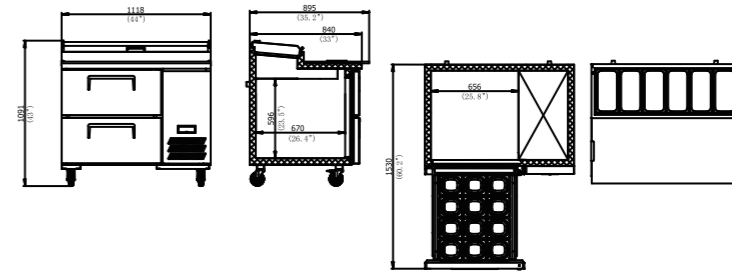
MBR-67



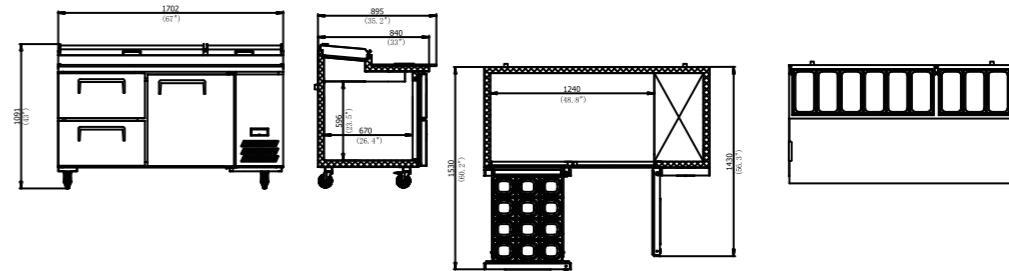
MBR-93



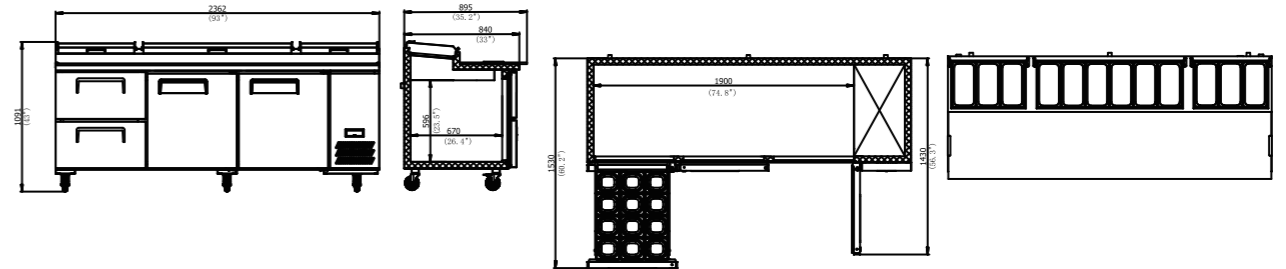
MBR-44D2



MBR-67D2



MBR-93D2



Model	INF-BR-44	INF-BR-67	INF-BR-93	INF-BR-44D2	INF-BR-67D2	INF-BR-93D2
Classification	Refrigerator	Refrigerator	Refrigerator	Refrigerator	Refrigerator	Refrigerator
Unit Dimension(WxDxH inch)	44*33*43	67*33*43	93*33*43	44*33*43	67*33*43	93*33*43
Shipping Dimension(WxDxH in)	46 ¹ / ₈ *35 ¹ / ₂ *47	69*35 ¹ / ₂ *47	95*35 ¹ / ₂ *47	46 ¹ / ₈ *35 ¹ / ₂ *47	69*35 ¹ / ₂ *47	95*35 ¹ / ₂ *47
Inner Dimensions(WxDxH in)	25 ³ / ₄ *26 ³ / ₈ *23 ¹ / ₂	48 ³ / ₄ *26 ³ / ₈ *23 ¹ / ₂	74 ³ / ₈ *26 ³ / ₈ *23 ¹ / ₂	25 ³ / ₄ *26 ³ / ₈ *23 ¹ / ₂	48 ³ / ₄ *26 ³ / ₈ *23 ¹ / ₂	74 ³ / ₈ *26 ³ / ₈ *23 ¹ / ₂
Unit Dimension(WxDxH mm)	1118*840*1091	1702*840*1091	2362*840*1091	1118*840*1091	1702*840*1091	2362*840*1091
Shipping Dimension(WxDxH mm)	1168*901*1190	1750*901*1190	2410*901*1190	1168*901*1190	1750*901*1190	2410*901*1190
Inner Dimensions(WxDxH mm)	656*670*596	1240*670*596	1900*670*596	656*670*596	1240*670*596	1900*670*596
Capacity(L)	305/10.8	569/20.1	860/30.4	152/5.4	436/15.4	727/25.7
Inner Temperature(°C)	0.5~5	0.5~5	0.5~5	0.5~5	0.5~5	0.5~5
Inner Temperature(°F)	33~41	33~41	33~41	33~41	33~41	33~41
Refrigerant	R290	R290	R290	R290	R290	R290
Insulation Type	Polyurethane/Cyclopentane+CFC Free					
Amps(A)	2.95	3.45	4.34	2.95	3.45	4.34
Voltage(V/Hz)	115/60	115/60	115/60	115/60	115/60	115/60
Power(W)	270	322	410	270	322	410
Number Of Doors	1	2	3	0	1	2

CHEF BASE

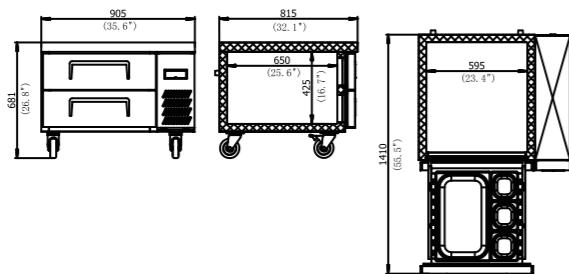
COOLER



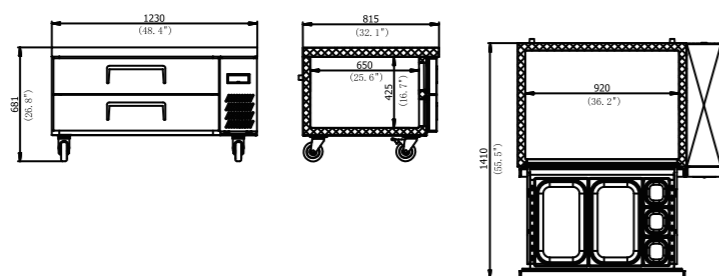
FEATURES:

- Auto evaporation of defrosting water
- Round corner design for inner bottom shelf to facilitate easy cleaning
- Removable gasket that is easy to clean and replace.
- Adjustable/removable plastic coated wire shelves
- Cold air circulation via fan for temperature balance
- Refrigeration unit holds 33° F to 41°F (0.5°C to 5°C)
- Bottom-mounted cooling unit is easy to remove and clean.
- Outstanding temperature preservation reduces energy consumption via foamed-in polyurethane cell insulation
- Fuse equipped at the beam to prevent condensation
- Self-closing and left/right hinge doors with lock & key
- High-quality Digital thermostat (I.o.T function is optional)
- Black inner box models are optional

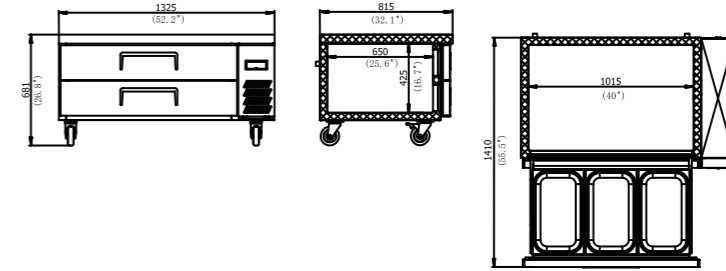
INF-AR-36A



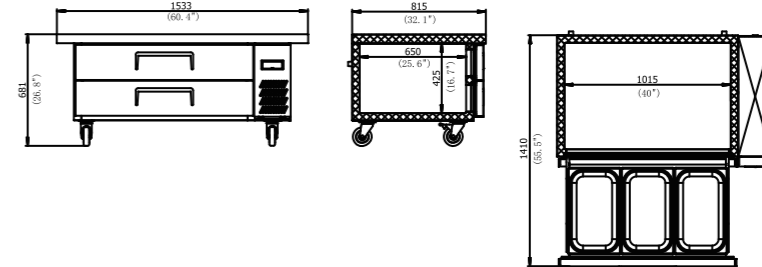
INF-AR-48A



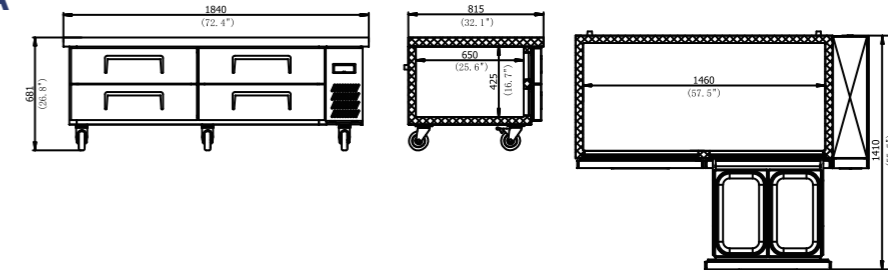
INF-AR-52A



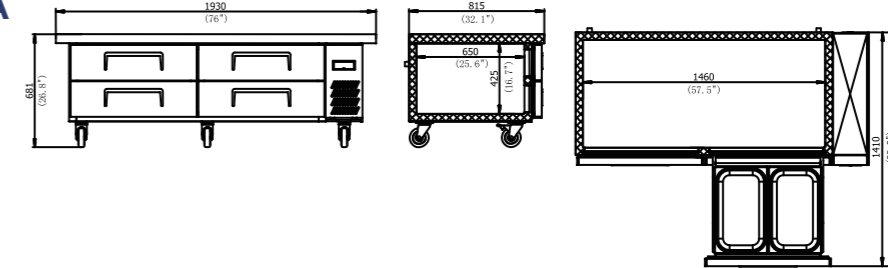
INF-AR-60A



INF-AR-72A



INF-AR-76A



Model	INF-AR-36A	INF-AR-48A	INF-AR-52A	INF-AR-60A	INF-AR-72A	INF-AR-76A
Classification	Refrigerator	Refrigerator	Refrigerator	Refrigerator	Refrigerator	Refrigerator
Unit Dimension(WxDxH inch)	35 ⁵ / ₈ ×32 ¹ / ₈ ×26 ⁵ / ₈	48 ³ / ₈ ×32 ¹ / ₈ ×26 ⁵ / ₈	52 ¹ / ₄ ×32 ¹ / ₈ ×26 ⁵ / ₈	60 ³ / ₈ ×32 ¹ / ₈ ×26 ⁵ / ₈	72 ³ / ₈ ×32 ¹ / ₈ ×26 ⁵ / ₈	76×32 ¹ / ₈ ×26 ⁵ / ₈
Shipping Dimension(WxDxH in)	37 ⁵ / ₈ ×34 ¹ / ₂ ×29 ⁵ / ₈	50 ³ / ₈ ×34 ¹ / ₂ ×29 ⁵ / ₈	54 ¹ / ₄ ×34 ¹ / ₂ ×29 ⁵ / ₈	62 ³ / ₈ ×34 ¹ / ₂ ×29 ⁵ / ₈	74 ³ / ₈ ×34 ¹ / ₂ ×29 ⁵ / ₈	78×34 ¹ / ₂ ×29 ⁵ / ₈
Inner Dimensions(WxDxH in)	23 ³ / ₈ ×25 ⁵ / ₈ ×16 ³ / ₄	36 ¹ / ₈ ×25 ⁵ / ₈ ×16 ³ / ₄	40×25 ⁵ / ₈ ×16 ³ / ₄	40×25 ⁵ / ₈ ×16 ³ / ₄	57 ¹ / ₂ ×25 ⁵ / ₈ ×16 ³ / ₄	56 ³ / ₄ ×25 ⁵ / ₈ ×16 ³ / ₄
Unit Dimension(WxDxH mm)	905×815×681	1230×815×681	1325×815×681	1533×815×681	1840×815×681	1930×15×681
Shipping Dimension(WxDxH mm)	955×875×750	1280×875×750	1375×875×750	1585×875×750	1890×875×750	1980×875×750
Inner Dimensions(WxDxH mm)	595×650×425	920×650×425	1015×650×425	1015×650×425	1460×650×425	1440×650×425
Capacity(L/Cuft)	52.4/1.85	91.4/3.22	117/4.13	117/4.13	156/5.51	156/5.51
Inner Temperature(°C)	0.5~5	0.5~5	0.5~5	0.5~5	0.5~5	0.5~5
Inner Temperature(°F)	33~41	33~41	33~41	33~41	33~41	33~41
Refrigerant	R290	R290	R290	R290	R290	R290
Insulation Type	Polyurethane/Cyclopentane+CFC Free					
Amps(A)	2.74	2.86	2.86	2.86	3.24	3.29
Voltage(V/Hz)	115/60	115/60	115/60	115/60	115/60	115/60
Power(W)	216	243	249	249	301	301
Pans Per Unit	2×1/1&6×1/6	4×1/1&6×1/6	6×1/1	6×1/1	8×1/1	8×1/1

SMALL COOLER

COOLER



FEATURES:

Evaporator fan motor that stops when door is open to conserve energy.

Round corner design for inner bottom shelf to facilitate easy cleaning

Removable gasket that is easy to clean and replace.

Cold air circulation via fan for temperature balance

Refrigeration unit holds 33°F to 41° F (0.5°C to 5°C)

Outstanding temperature preservation reduces energy

consumption via foamed-in polyurethane cell insulation

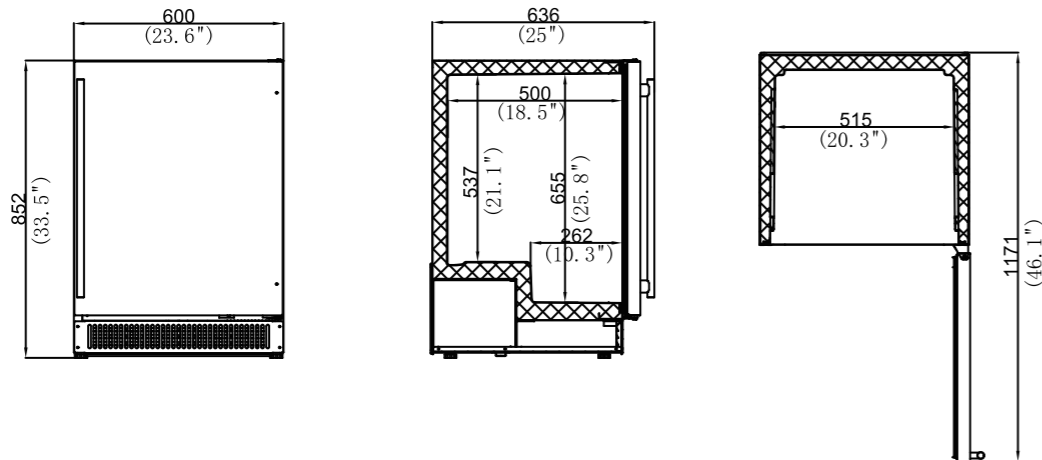
Condenser system dust resistance, Free of maintenance for years.

Self-closing and left/right hinge doors with lock & key & self-closing and left/right hinge doors equipped to stay open when past 90 degrees

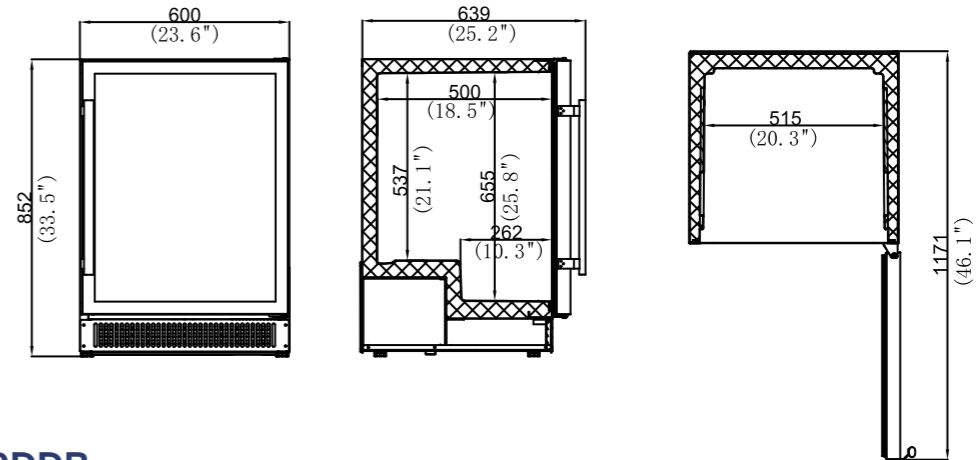
High-quality Digital thermostat

Black inner box models are optional

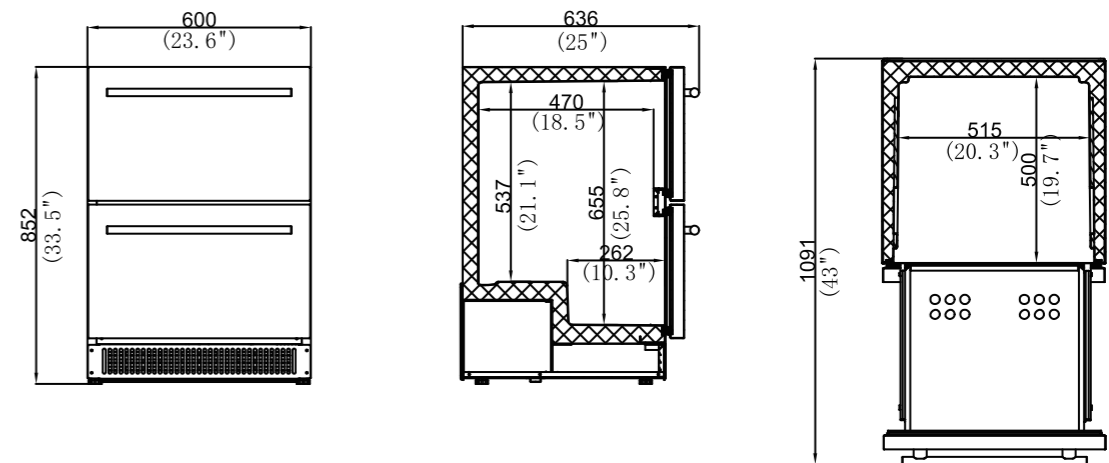
INF-X-160HR



INF-X-160HRG



INF-X-160DDR



Model	INF-X-160HR	INF-X-160HRG	INF-X-160DDR
Classification	Refrigerator	Refrigerator	Refrigerator
Unit Dimension(WxDxH inch)	23 ^{5/8} ×25×33 ^{1/2}	23 ^{5/8} ×25×33 ^{1/2}	23 ^{5/8} ×25×33 ^{1/2}
Shipping Dimension(WxDxH inch)	27 ^{1/2} ×29 ^{1/8} ×38	27 ^{1/2} ×29 ^{1/8} ×38	27 ^{1/2} ×29 ^{1/8} ×38
Inner Dimensions(WxDxH in)	21 ^{1/4} ×17 ^{5/8} ×25 ^{3/4}	21 ^{1/4} ×17 ^{5/8} ×25 ^{3/4}	21 ^{1/4} ×17 ^{5/8} ×25 ^{3/4}
Unit Dimension(WxDxH mm)	600×636×852	600×639×852	600×636×852
Shipping Dimension(WxDxH mm)	700×740×965	700×740×965	700×740×965
Inner Dimensions(WxDxH mm)	500×515×655	500×515×655	500×515×655
Capacity(L/Cuft)	139.56/4.93	144.53/5.1	133.68/4.72
Inner Temperature(°C)	0.5~5	0.5~5	0.5~5
Inner Temperature(°F)	33~41	33~41	33~41
Refrigerant	R600a	R600a	R600a
Insulation Type	Polyurethane/Cyclopentane+CFC Free		
Amps(A)	1	1.1	1.1
Voltage(V/Hz)	115/60	115/60	115/60
Power(W)	207	207	207
Number Of Doors	1	1	0

MERCHANDISER

REFRIGERATOR

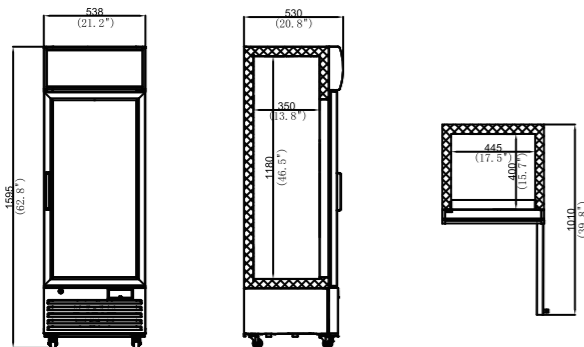


FEATURES:

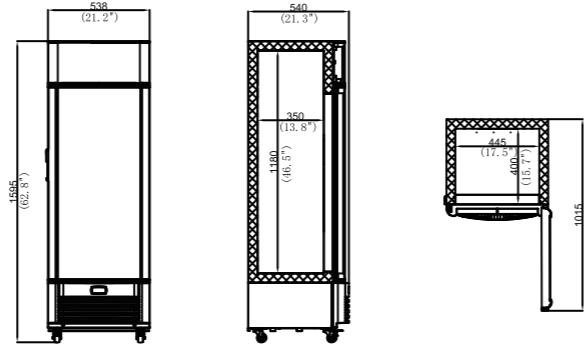
- Auto evaporation of defrosting water
- Removable gasket that is easy to clean and replace.
- Adjustable/removable plastic coated wire shelves
- Cold air circulation via fan for temperature balance
- Refrigeration unit holds 33°F to 41°F (0.5°C to 5°C)
- Bottom-mounted cooling unit is easy to remove and clean.

- Outstanding temperature preservation reduces energy consumption via foamed-in polyurethane cell insulation
- Fuse equipped at the beam to prevent condensation
- Self-closing and left/right hinge doors with lock & key
- High-quality Digital thermostat (I.o.T function is optional)
- Black inner box models are optional

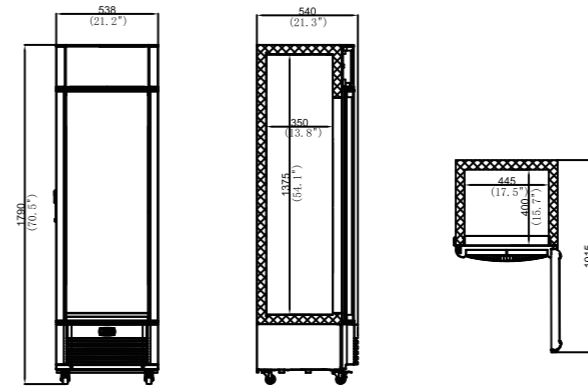
INF-MR6.5SH



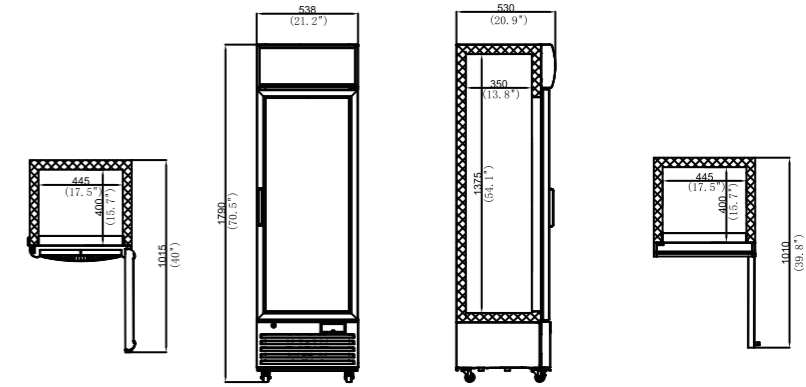
INF-MR6.5BH



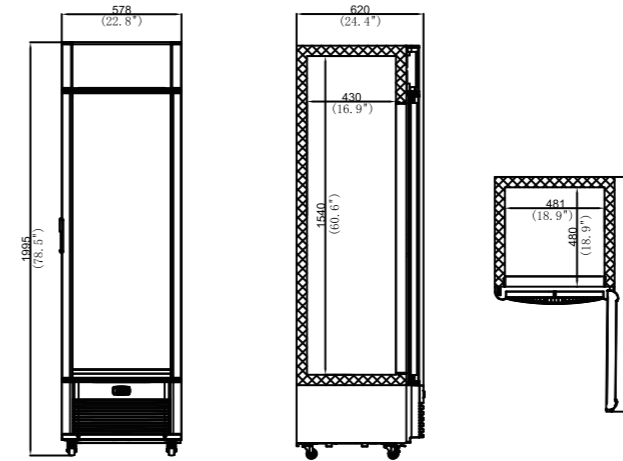
INF-MR9.0SH



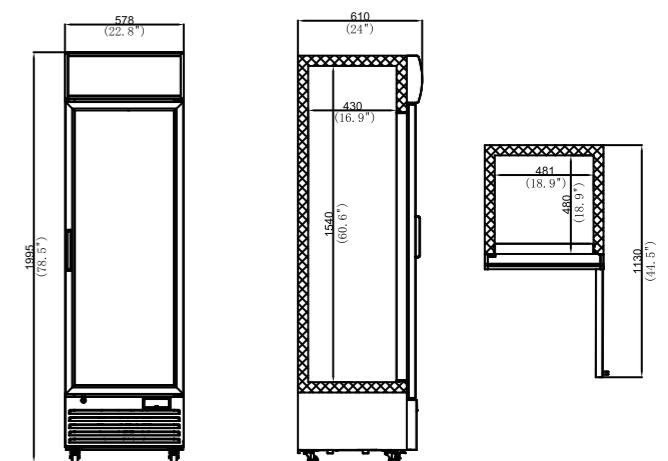
INF-MR9.0BH



INF-MR12.5SH



INF-MR12.5BH



Model	INF-MR6.5SH	INF-MR9.0SH	INF-MR12.5SH	INF-MR6.5BH	INF-MR9.0BH	INF-MR12.5BH
Classification	Refrigerator	Refrigerator	Refrigerator	Refrigerator	Refrigerator	Refrigerator
Unit Dimension(WxDxH inch)	21 ¹ / ₄ ×21 ¹ / ₄ ×62 ³ / ₄	21 ¹ / ₄ ×21 ¹ / ₄ ×70 ¹ / ₂	22 ³ / ₄ ×24 ¹ / ₄ ×78 ¹ / ₂	21 ¹ / ₄ ×20 ⁷ / ₈ ×62 ³ / ₄	21 ¹ / ₄ ×20 ⁷ / ₈ ×70 ¹ / ₂	22 ³ / ₄ ×24×78 ¹ / ₂
Shipping Dimension(WxDxH inch)	23×22 ⁷ / ₈ ×66 ³ / ₄	23×22 ⁷ / ₈ ×74 ¹ / ₂	23×26×82 ¹ / ₄	23×22 ⁷ / ₈ ×66 ³ / ₄	23×22 ⁷ / ₈ ×74 ¹ / ₂	23×25 ¹ / ₂ ×82 ¹ / ₄
Inner Dimensions(WxDxH in)	17 ¹ / ₂ ×15 ³ / ₄ ×46 ¹ / ₂	17 ³ / ₄ ×15 ³ / ₄ ×54 ¹ / ₄	18 ⁷ / ₈ ×18 ⁷ / ₈ ×60 ⁵ / ₈	17 ¹ / ₂ ×15 ³ / ₄ ×46 ¹ / ₂	17 ³ / ₄ ×15 ³ / ₄ ×54 ¹ / ₄	18 ⁷ / ₈ ×18 ⁷ / ₈ ×60 ⁵ / ₈
Unit Dimension(WxDxH mm)	538×540×1595	538×540×1790	578×620×1995	538×530×1595	538×530×1790	578×610×1995
Shipping Dimension(WxDxH mm)	583×581×1697	583×581×1892	583×581×2090	583×581×1697	583×581×1892	583×651×2090
Inner Dimensions(WxDxH mm)	445×400×1180	445×400×1375	481×480×1540	445×400×1180	445×400×1375	481×480×1540
Capacity(L/Cuft)	181/6.4	217/7.66	322/11.37	181/6.4	217/7.66	322/11.37
Inner Temperature(°C)	0.5~5	0.5~5	0.5~5	0.5~5	0.5~5	0.5~5
Inner Temperature(°F)	33~41	33~41	33~41	33~41	33~41	33~41
Refrigerant	R290	R290	R290	R290	R290	R290
Insulation Type	Polyurethane/Cyclopentane+CFC Free					
Amps(A)	2.23	2.23	2.23	2.23	2.23	2.23
Voltage(V/Hz)	115/60	115/60	115/60	115/60	115/60	115/60
Power(W)	205	205	205	205	205	205
Number Of Doors	1	1	1	1	1	1

MERCHANDISER

REFRIGERATOR



FEATURES:

Auto evaporation of defrosting water

Removable gasket that is easy to clean and replace.

Adjustable/removable plastic coated wire shelves

Cold air circulation via fan for temperature balance

Refrigeration unit holds 33°F to 41°F (0.5°C to 5°C)

Bottom-mounted cooling unit is easy to remove and clean.

Outstanding temperature preservation reduces energy consumption via foamed-in polyurethane cell insulation

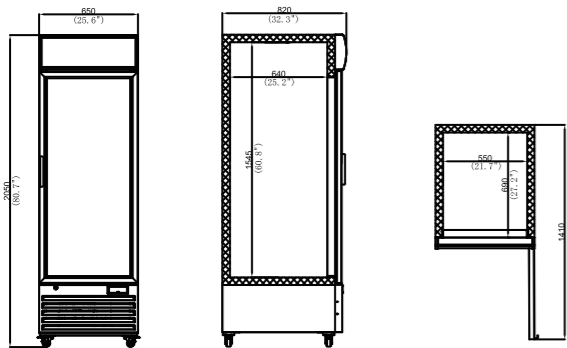
Fuse equipped at the beam to prevent condensation

Self-closing and left/right hinge doors with lock & key

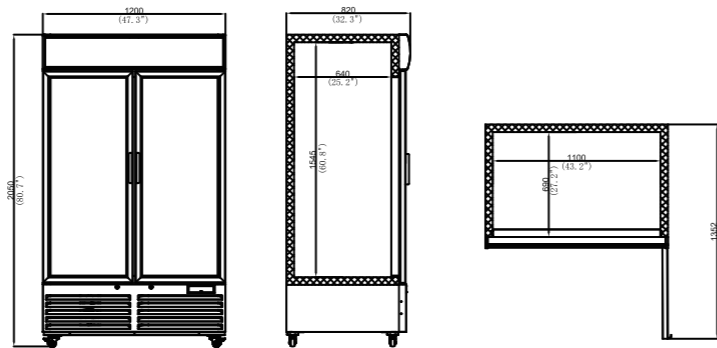
High-quality Digital thermostat (I.o.T function is optional)

Black inner box models are optional

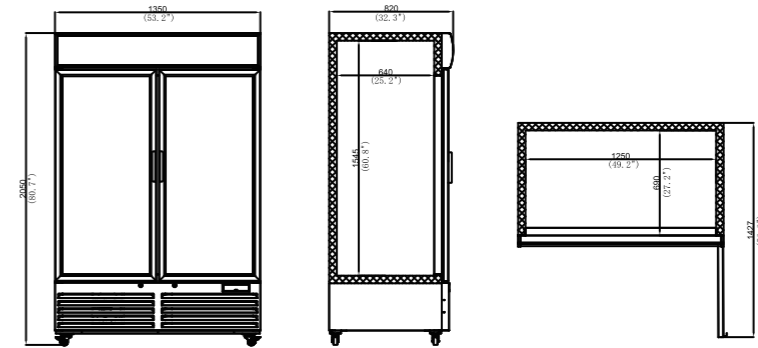
INF-MR26BHL



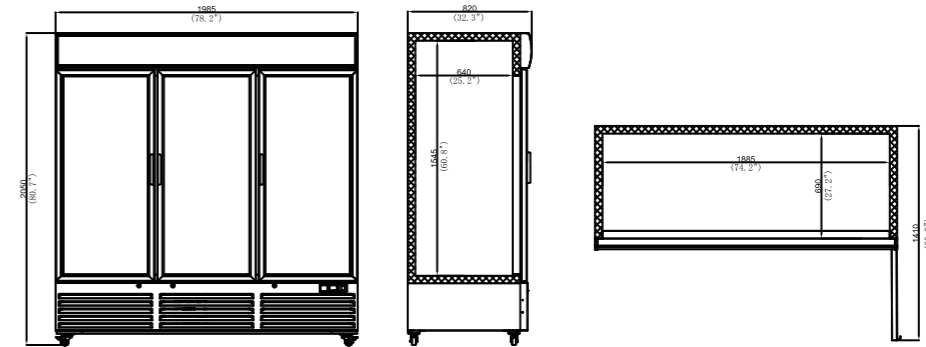
INF-MR47BHL



INF-MR53BHL



INF-MR78BHL



Model	INF-MR26BHL	INF-MR47BHL	INF-MR53BHL	INF-MR78BHL
Classification	Refrigerator	Refrigerator	Refrigerator	Refrigerator
Unit Dimension(WxDxH inch)	25 ⁵ / ₈ ×32 ¹ / ₄ ×80 ³ / ₄	47 ¹ / ₄ ×32 ¹ / ₄ ×80 ³ / ₄	53 ¹ / ₄ ×32 ¹ / ₄ ×80 ³ / ₄	78 ¹ / ₄ ×32 ¹ / ₄ ×80 ³ / ₄
Shipping Dimension(WxDxH inch)	27 ¹ / ₄ ×34×82 ¹ / ₈	49×34×82 ¹ / ₈	55×34×82 ¹ / ₈	80×34×82 ¹ / ₈
Inner Dimensions(WxDxH in)	21 ³ / ₄ ×27 ¹ / ₄ ×60 ³ / ₄	43 ¹ / ₄ ×27 ¹ / ₄ ×60 ³ / ₄	49 ¹ / ₄ ×27 ¹ / ₄ ×60 ³ / ₄	74 ¹ / ₄ ×27 ¹ / ₄ ×60 ³ / ₄
Unit Dimension(WxDxH mm)	650×820×2050	1200×820×2050	1350×820×2050	1985×820×2050
Shipping Dimension(WxDxH mm)	695×870×2085	1245×870×2085	1395×870×2085	2030×870×2085
Inner Dimensions(WxDxH mm)	550×690×1545	1100×690×1545	1250×690×1545	1885×690×1545
Capacity(L/Cuft)	541/19.1	1077/38	1232/43.5	1868/66
Inner Temperature(°C)	0.5~5	0.5~5	0.5~5	0.5~5
Inner Temperature(°F)	33~41	33~41	33~41	33~41
Refrigerant	R290	R290	R290	R290
Insulation Type	Polyurethane/Cyclopentane+CFC Free			
Amps(A)	2.23	4.6	4.6	5.52
Voltage(V/Hz)	115/60	115/60	115/60	115/60
Power(W)	205	365	365	490
Number Of Doors	1	2	2	3

BACK BAR

COOLER

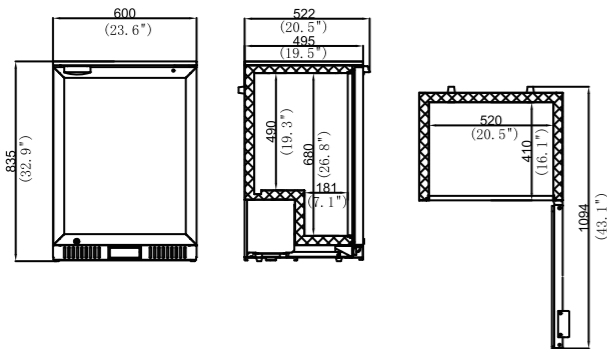


FEATURES:

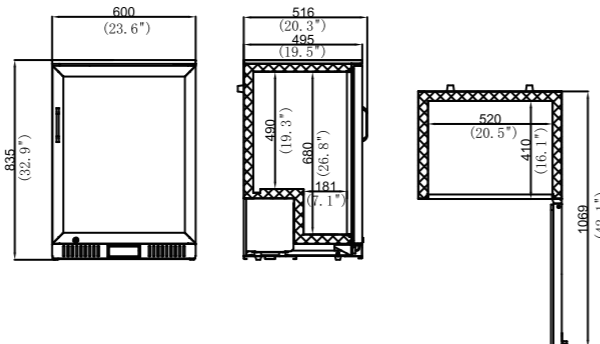
- Removable gasket that is easy to clean and replace.
- Cold air circulation via fan for temperature balance
- Refrigeration unit holds 33°F to 41°F (0.5°C to 5°C)
- Outstanding temperature preservation reduces energy consumption via foamed-in polyurethane cell insulation

- Self-closing and left/right hinge doors with lock & key
- Adjustable/removable plastic coated wire shelves
- High-quality Digital thermostat (I.o.T function is optional)
- Black inner box models are optional

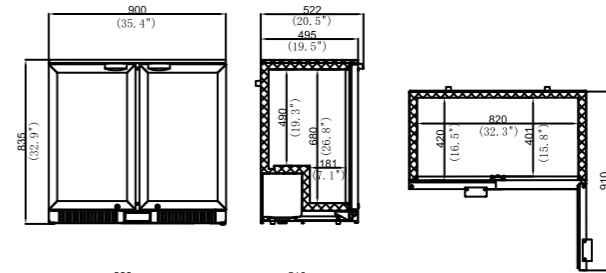
INF-BC-135BH



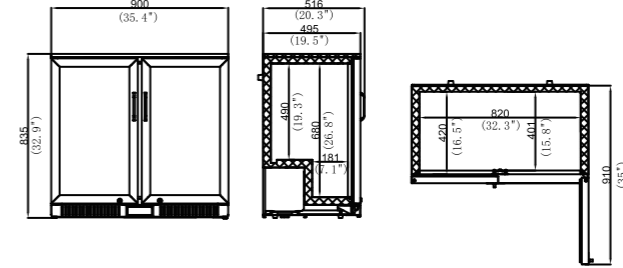
INF-BC-135SH



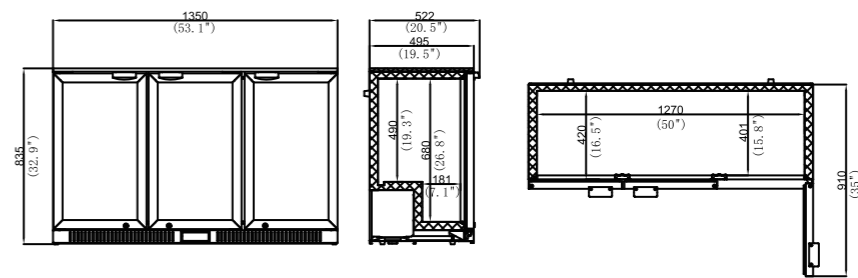
INF-BC-215BH



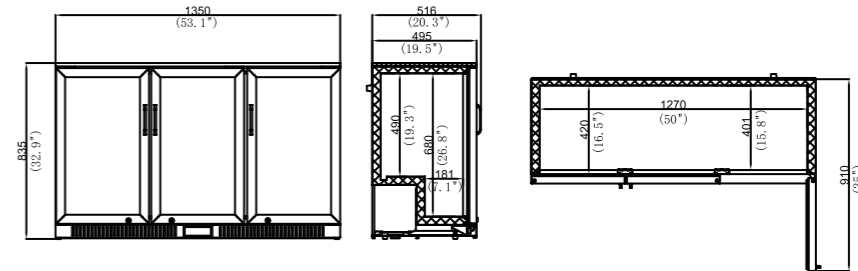
INF-BC-215SH



INF-BC-335BH



INF-BC-335SH



Model	INF-BC-135BH	INF-BC-135SH	INF-BC-215BH	INF-BC-215SH	INF-BC-335BH	INF-BC-335SH
Classification	Refrigerator	Refrigerator	Refrigerator	Refrigerator	Refrigerator	Refrigerator
Unit Dimension(WxDxH inch)	23 ⁵ / ₈ ×20 ¹ / ₄ ×32 ⁷ / ₈	23 ⁵ / ₈ ×20 ¹ / ₂ ×32 ⁷ / ₈	35 ³ / ₈ ×20 ¹ / ₄ ×32 ⁷ / ₈	35 ³ / ₈ ×20 ¹ / ₂ ×32 ⁷ / ₈	53 ¹ / ₄ ×20 ¹ / ₄ ×32 ⁷ / ₈	53 ¹ / ₄ ×20 ¹ / ₂ ×32 ⁷ / ₈
Shipping Dimension(WxDxH inch)	26 ⁵ / ₈ ×22 ⁷ / ₈ ×39 ³ / ₄	26 ⁵ / ₈ ×22 ⁷ / ₈ ×39 ³ / ₄	38 ³ / ₈ ×22 ⁷ / ₈ ×39 ³ / ₄	38 ³ / ₈ ×22 ⁷ / ₈ ×39 ³ / ₄	56 ¹ / ₈ ×22 ⁷ / ₈ ×39 ³ / ₄	56 ¹ / ₈ ×22 ⁷ / ₈ ×39 ³ / ₄
Inner Dimensions(WxDxH in)	20 ¹ / ₂ ×16 ¹ / ₈ ×26 ³ / ₄	23 ⁷ / ₈ ×16 ¹ / ₈ ×26 ³ / ₄	32 ¹ / ₄ ×16 ¹ / ₈ ×26 ³ / ₄	32 ¹ / ₄ ×16 ¹ / ₈ ×26 ³ / ₄	50×16 ¹ / ₈ ×26 ³ / ₄	50×16 ¹ / ₈ ×26 ³ / ₄
Unit Dimension(WxDxH mm)	600*516*835	600*522*835	900*516*835	900*522*835	1350*516*835	1350*522*835
Shipping Dimension(WxDxH mm)	676*581*1009	676*581*1009	976*581*1009	976*581*1009	1426*581*1009	1426*581*1009
Inner Dimensions(WxDxH mm)	520*410*680	520*410*680	820*410*680	820*410*680	1270*410*680	1270*410*680
Capacity(L/Cuft)	116.81/4.13	116.81/4.13	183.02/6.47	183.02/6.47	282.86/9.99	282.86/9.99
Inner Temperature(°C)	0.5~5	0.5~5	0.5~5	0.5~5	0.5~5	0.5~5
Inner Temperature(°F)	33~41	33~41	33~41	33~41	33~41	33~41
Refrigerant	R290	R290	R290	R290	R290	R290
Insulation Type	Polyurethane/Cyclopentane+CFC Free					
Amps(A)	1	1.2	1	1.3	1.5	1
Voltage(V/Hz)	115/60	115/60	115/60	115/60	115/60	115/60
Power(W)	138	207	149	207	172	172
Number Of Doors	1	1	2	2	3	3

BACK BAR

COOLER



FEATURES:

Removable gasket that is easy to clean and replace.

Cold air circulation via fan for temperature balance

Refrigeration unit holds 33°F to 41°F (0.5°C to 5°C)

Outstanding temperature preservation reduces energy consumption via foamed-in polyurethane cell insulation

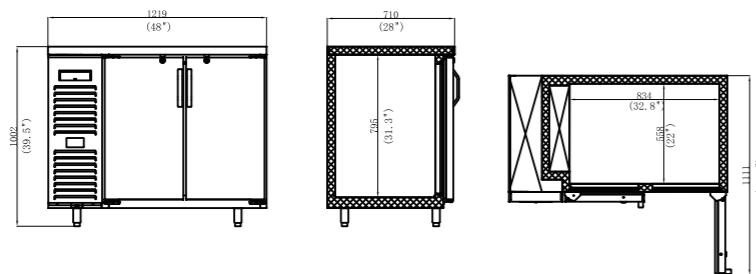
Self-closing and left/right hinge doors with lock & key

Adjustable/removable plastic coated wire shelves

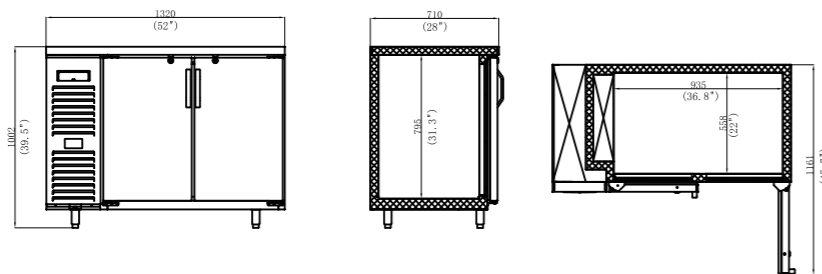
High-quality Digital thermostat (I.o.T function is optional)

Black inner box models are optional

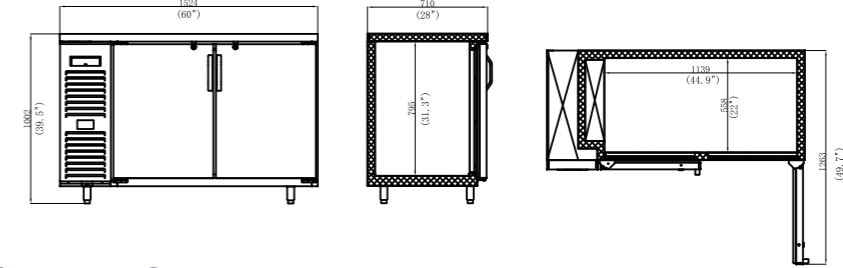
INF-BB-48BH/MBB-48SH



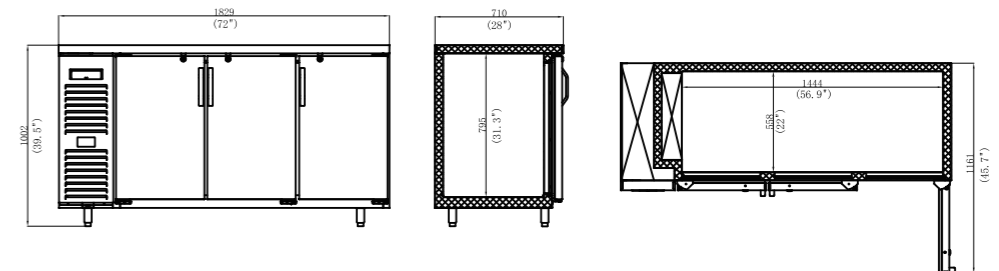
INF-BB-52BH/MBB-52SH



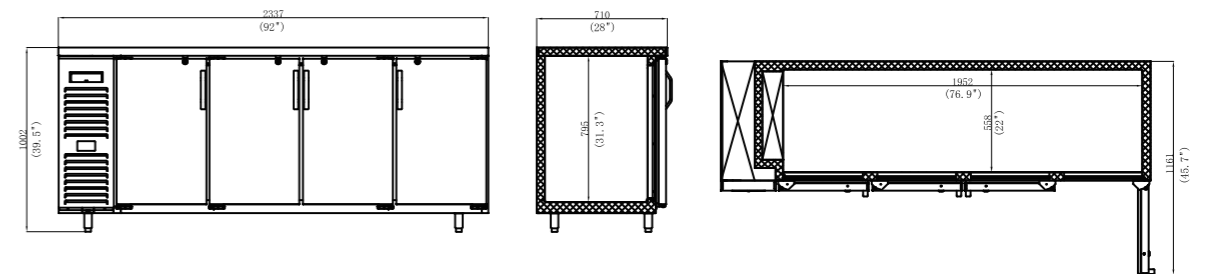
INF-BB-60BH/MBB-60SH



INF-BB-72BH/MBB-72SH



INF-BB-92BH/MBB-92SH



Model	INF-BB-48BH/SH	INF-BB-52BH/SH	INF-BB-60BH/SH	INF-BB-72BH/SH	INF-BB-92BH/SH
Classification	Refrigerator	Refrigerator	Refrigerator	Refrigerator	Refrigerator
Unit Dimension(WxDxH inch)	48*28*39 ^{1/2}	52*28*39 ^{1/2}	60*28*39 ^{1/2}	72*28*39 ^{1/2}	92*28*39 ^{1/2}
Shipping Dimension(WxDxH inch)	50*30 ^{1/4} *43 ^{1/4}	54*30 ^{1/4} *43 ^{1/4}	62*30 ^{1/4} *43 ^{1/4}	74*30 ^{1/4} *43 ^{1/4}	94*30 ^{1/4} *43 ^{1/4}
Inner Dimensions(WxDxH in)	32 ^{3/4} *22*31 ^{1/4}	36 ^{3/4} *22*31 ^{1/4}	44 ^{3/4} *22*31 ^{1/4}	56 ^{7/8} *22*31 ^{1/4}	76 ^{7/8} *22*31 ^{1/4}
Unit Dimension(WxDxH mm)	1219*710*1002	1320*710*1002	1524*710*1002	1829*710*1002	2337*710*1002
Shipping Dimension(WxDxH mm)	1269*770*1105	1370*770*1105	1574*770*1105	1879*770*1105	2387*770*1105
Inner Dimensions(WxDxH mm)	834*558*795	935*558*795	1139*558*795	1444*558*795	1952*558*795
Capacity(L/Cuft)	395/13.9	445/15.7	543/19.1	687/24.2	929/32.8
Inner Temperature(°C)	1~4	1~4	1~4	1~4	1~4
Inner Temperature(°F)	33~41	33~41	33~41	33~41	33~41
Refrigerant	R290	R290	R290	R290	R290
Insulation Type	Polyurethane/Cyclopentane+CFC Free				
Amps(A)	2.76	2.76	2.76	2.76	2.95
Voltage(V/Hz)	115/60	115/60	115/60	115/60	115/60
Power(W)	256	256	256	256	273
Number Of Doors	2	2	2	3	4

BACK BAR

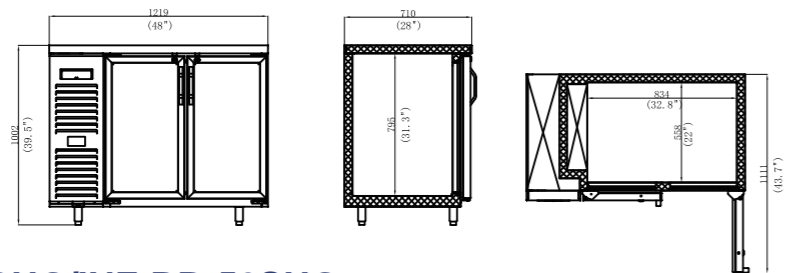
COOLER



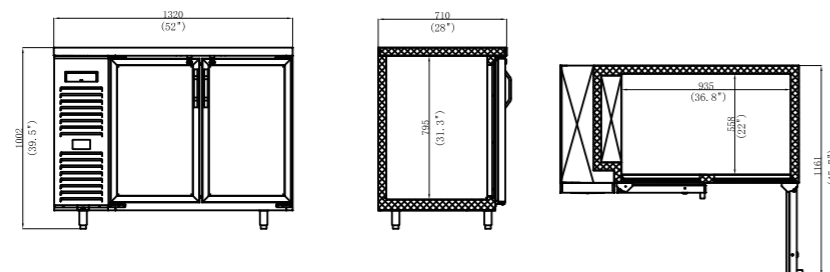
FEATURES:

- Removable gasket that is easy to clean and replace.
- Cold air circulation via fan for temperature balance
- Refrigeration unit holds 33°F to 41°F (0.5°C to 5°C)
- Outstanding temperature preservation reduces energy consumption via foamed-in polyurethane cell insulation
- Self-closing and left/right hinge doors with lock & key
- Adjustable/removable plastic coated wire shelves
- High-quality Digital thermostat (I.o.T function is optional)
- Black inner box models are optional

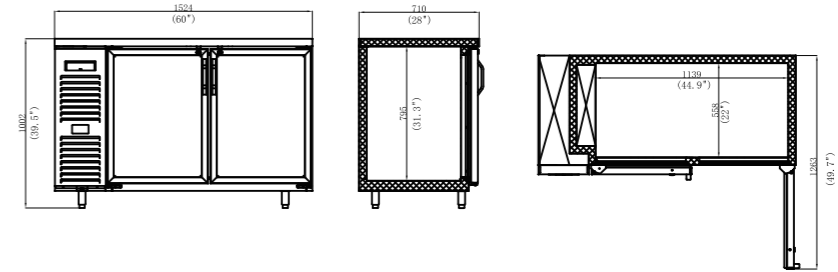
INF-BB-48BHG/INF-BB-48SHG



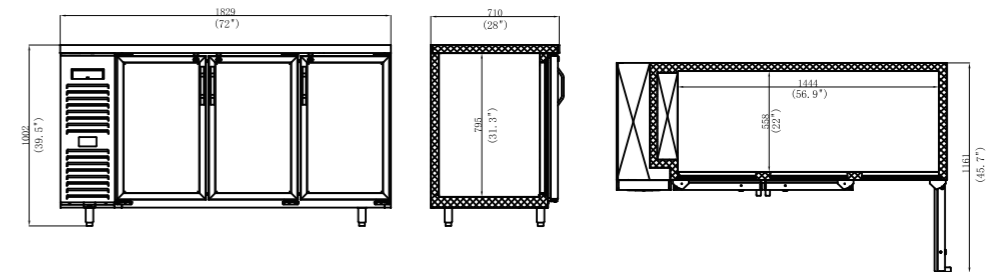
INF-BB-52BHG/INF-BB-52SHG



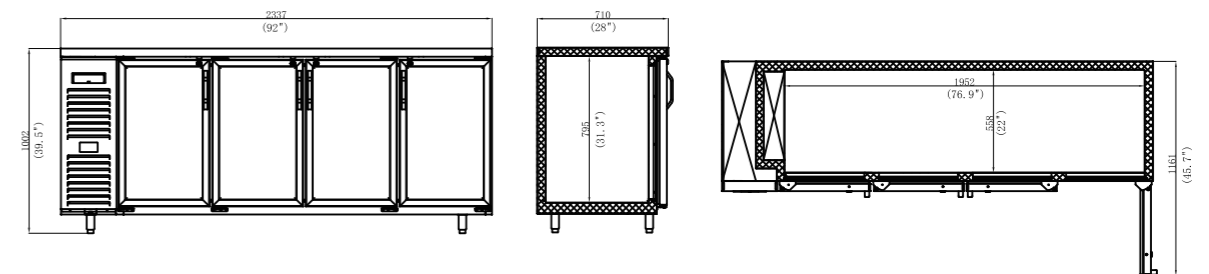
INF-BB-60BHG/INF-BB-60SHG



INF-BB-72BHG/INF-BB-72SHG



INF-BB-92BHG/INF-BB-92SHG



Model	INF-BB-48BHG/SHG	INF-BB-52BHG/SHG	INF-BB-60BHG/SHG	INF-BB-72BHG/SHG	INF-BB-92BHG/SHG
Classification	Refrigerator	Refrigerator	Refrigerator	Refrigerator	Refrigerator
Unit Dimension(WxDxH inch)	48*28*39 ^{1/2}	52*28*39 ^{1/2}	60*28*39 ^{1/2}	72*28*39 ^{1/2}	92*28*39 ^{1/2}
Shipping Dimension(WxDxH inch)	50*30 ^{1/4} *43 ^{1/2}	54*30 ^{1/4} *43 ^{1/2}	62*30 ^{1/4} *43 ^{1/2}	74*30 ^{1/4} *43 ^{1/2}	94*30 ^{1/4} *43 ^{1/2}
Inner Dimensions(WxDxH in)	32 ^{3/4} *22*31 ^{1/4}	36 ^{3/4} *22*31 ^{1/4}	44 ^{3/4} *22*31 ^{1/4}	56 ^{7/8} *22*31 ^{1/4}	76 ^{7/8} *22*31 ^{1/4}
Unit Dimension(WxDxH mm)	1219*710*1002	1320*710*1002	1524*710*1002	1829*710*1002	2337*710*1002
Shipping Dimension(WxDxH mm)	1269*770*1105	1370*770*1105	1574*770*1105	1879*770*1105	2387*770*1105
Inner Dimensions(WxDxH mm)	834*558*795	935*558*795	1139*558*795	1444*558*795	1952*558*795
Capacity(L/Cuft)	395/13.9	445/15.7	543/19.1	687/24.2	929/32.8
Inner Temperature(°C)	1~4	1~4	1~4	1~4	1~4
Inner Temperature(°F)	33~41	33~41	33~41	33~41	33~41
Refrigerant	R290	R290	R290	R290	R290
Insulation Type	Polyurethane/Cyclopentane+CFC Free				
Amps(A)	2.76	2.76	2.76	2.76	2.95
Voltage(V/Hz)	115/60	115/60	115/60	115/60	115/60
Power(W)	256	256	256	256	273
Number Of Doors	2	2	2	3	4

BACK BAR

COOLER



FEATURES:

Removable gasket that is easy to clean and replace.

Cold air circulation via fan for temperature balance

Refrigeration unit holds 33°F to 41° F (0.5°C to 5°C)

Outstanding temperature preservation reduces energy consumption via foamed-in polyurethane cell insulation

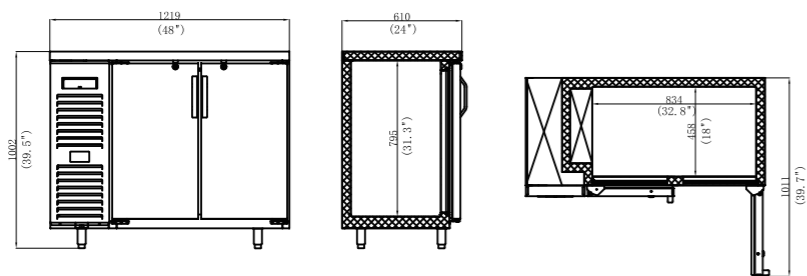
Self-closing and left/right hinge doors with lock & key

Adjustable/removable plastic coated wire shelves

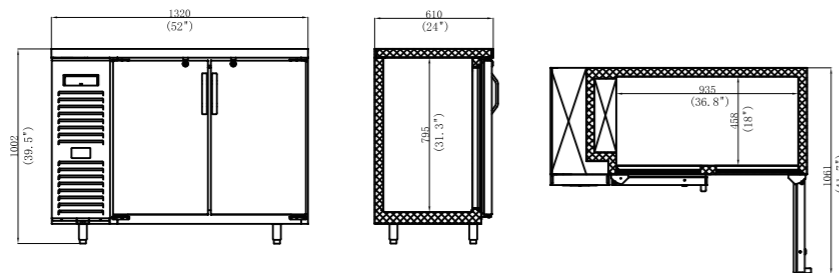
High-quality Digital thermostat (I.o.T function is optional)

Black inner box models are optional

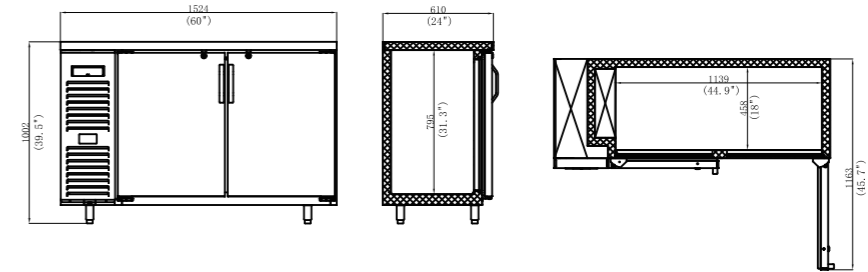
INF-SBB-48BH/INF-SBB-48SH



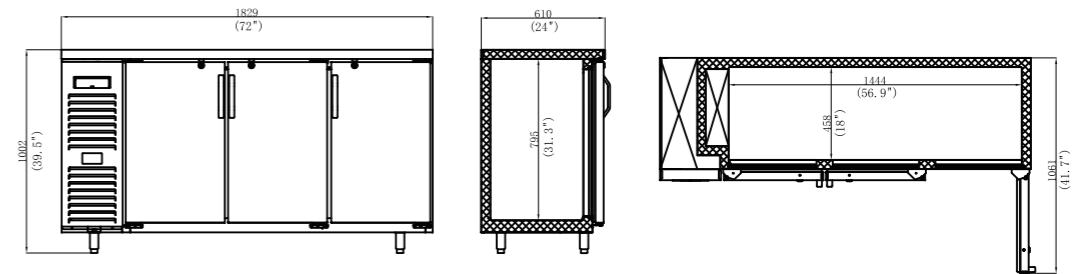
INF-SBB-52BH/INF-SBB-52SH



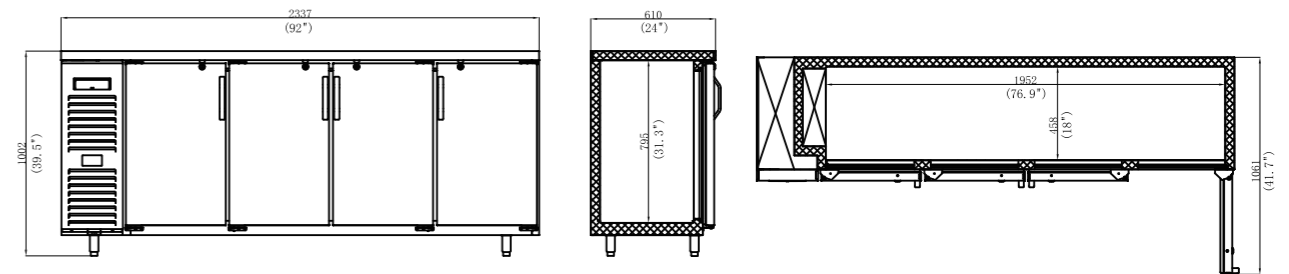
INF-SBB-60BH/INF-SBB-60SH



INF-SBB-72BH/INF-SBB-72SH



INF-SBB-92BH/INF-SBB-92SH



Model	INF-SBB-48BH/SH	INF-SBB-52BH/SH	INF-SBB-60BH/SH	INF-SBB-72BH/SH	INF-SBB-92BH/SH
Classification	Refrigerator	Refrigerator	Refrigerator	Refrigerator	Refrigerator
Unit Dimension(WxDxH inch)	48*24*39 ^{1/2}	52*24*39 ^{1/2}	60*24*39 ^{1/2}	72*24*39 ^{1/2}	92*24*39 ^{1/2}
Shipping Dimension(WxDxH inch)	50*27 ^{1/4} *43 ^{1/2}	54*27 ^{1/4} *43 ^{1/2}	62*27 ^{1/4} *43 ^{1/2}	74*27 ^{1/4} *43 ^{1/2}	94*27 ^{1/4} *43 ^{1/2}
Inner Dimensions(WxDxH in)	32 ^{3/4} *18*31 ^{1/4}	36 ^{3/4} *18*31 ^{1/4}	44 ^{3/4} *18*31 ^{1/4}	56 ^{7/8} *18*31 ^{1/4}	76 ^{7/8} *18*31 ^{1/4}
Unit Dimension(WxDxH mm)	1219*610*1002	1320*610*1002	1524*610*1002	1829*610*1002	2337*610*1002
Shipping Dimension(WxDxH mm)	1269*670*1105	1370*670*1105	1574*670*1105	1879*670*1105	2387*670*1105
Inner Dimensions(WxDxH mm)	834*458*795	935*458*795	1139*458*795	1444*458*795	1952*458*795
Capacity(L/Cuft)	331/11.7	373/13.2	456/16.1	576/20.3	778/27.5
Inner Temperature(°C)	1~4	1~4	1~4	1~4	1~4
Inner Temperature(°F)	33~41	33~41	33~41	33~41	33~41
Refrigerant	R290	R290	R290	R290	R290
Insulation Type	Polyurethane/Cyclopentane+CFC Free				
Amps(A)	2.76	2.76	2.76	2.76	2.95
Voltage(V/Hz)	115/60	115/60	115/60	115/60	115/60
Power(W)	256	256	256	256	273
Number Of Doors	2	2	2	3	4

BACK BAR

COOLER



FEATURES:

Removable gasket that is easy to clean and replace.

Cold air circulation via fan for temperature balance

Refrigeration unit holds 33°F to 41°F (0.5°C to 5°C)

Outstanding temperature preservation reduces energy consumption via foamed-in polyurethane cell insulation

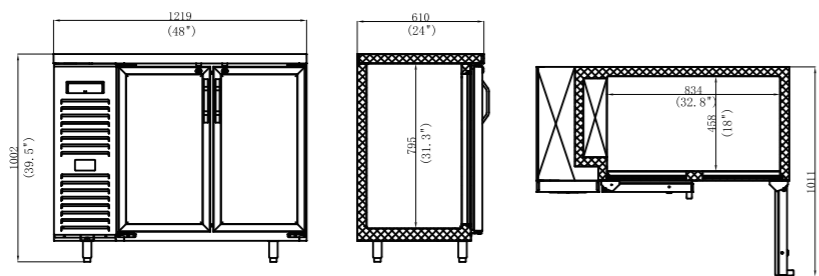
Self-closing and left/right hinge doors with lock & key

Adjustable/removable plastic coated wire shelves

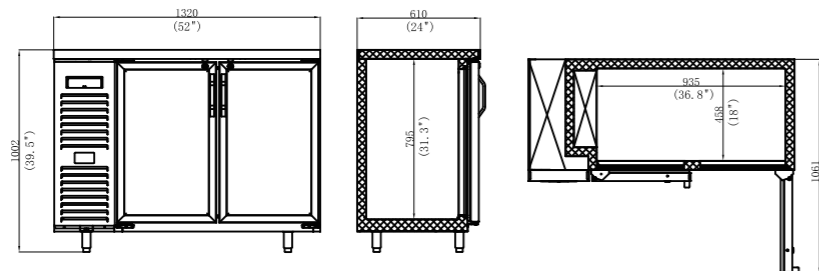
High-quality Digital thermostat (I.o.T function is optional)

Black inner box models are optional

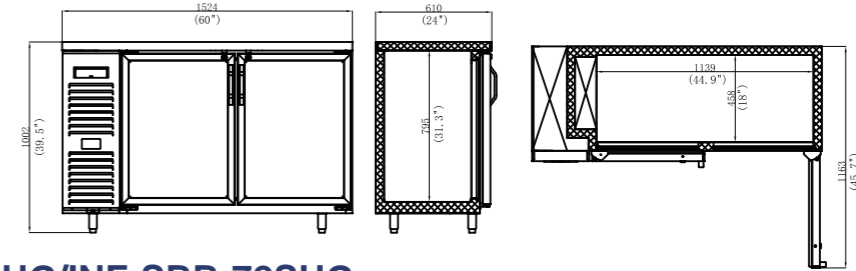
INF-SBB-48BHG/INF-SBB-48SHG



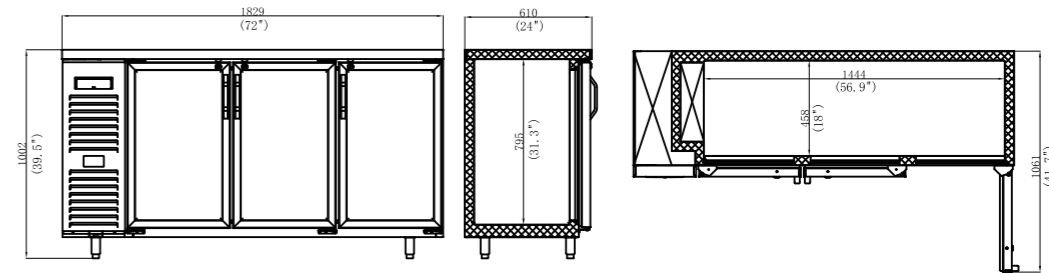
INF-SBB-52BHG/INF-SBB-52SHG



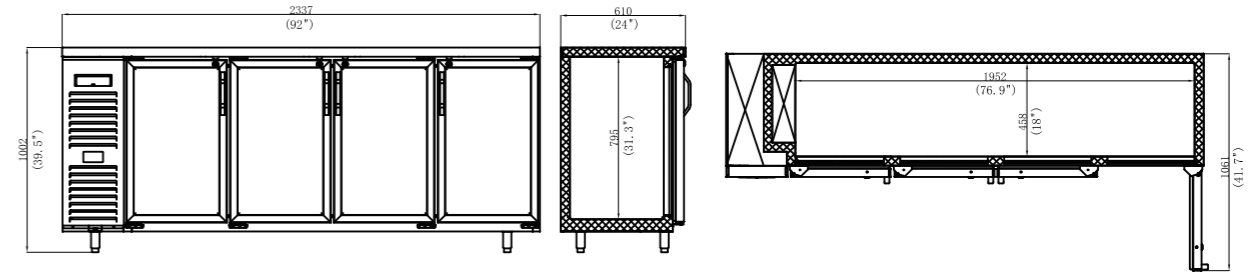
INF-SBB-60BHG/INF-SBB-60SHG



INF-SBB-72BHG/INF-SBB-72SHG



INF-SBB-92BHG/INF-SBB-92SHG



Model	INF-SBB-48BHG/SHG	INF-SBB-52BHG/SHG	INF-SBB-60BHG/SHG	INF-SBB-72BHG/SHG	INF-SBB-92BHG/SHG
Classification	Refrigerator	Refrigerator	Refrigerator	Refrigerator	Refrigerator
Unit Dimension(WxDxH inch)	48*24*39 ¹ / ₂	52*24*39 ¹ / ₂	60*24*39 ¹ / ₂	72*24*39 ¹ / ₂	92*24*39 ¹ / ₂
Shipping Dimension(WxDxH inch)	50*27 ¹ / ₄ *43 ¹ / ₄	54*27 ¹ / ₄ *43 ¹ / ₄	62*27 ¹ / ₄ *43 ¹ / ₄	74*27 ¹ / ₄ *43 ¹ / ₄	94*27 ¹ / ₄ *43 ¹ / ₄
Inner Dimensions(WxDxH in)	32 ³ / ₄ *18*31 ¹ / ₄	36 ³ / ₄ *18*31 ¹ / ₄	44 ³ / ₄ *18*31 ¹ / ₄	56 ⁷ / ₈ *18*31 ¹ / ₄	76 ⁷ / ₈ *18*31 ¹ / ₄
Unit Dimension(WxDxH mm)	1219*610*1002	1320*610*1002	1524*610*1002	1829*610*1002	2337*610*1002
Shipping Dimension(WxDxH mm)	1269*670*1105	1370*670*1105	1574*670*1105	1879*670*1105	2387*670*1105
Inner Dimensions(WxDxH mm)	834*458*795	935*458*795	1139*458*795	1444*458*795	1952*458*795
Capacity(L/Cuft)	331/11.7	373/13.2	456/16.1	576/20.3	778/27.5
Inner Temperature(°C)	1~4	1~4	1~4	1~4	1~4
Inner Temperature(°F)	33~41	33~41	33~41	33~41	33~41
Refrigerant	R290	R290	R290	R290	R290
Insulation Type	Polyurethane/Cyclopentane+CFC Free				
Amps(A)	2.76	2.76	2.76	2.76	2.95
Voltage(V/Hz)	115/60	115/60	115/60	115/60	115/60
Power(W)	256	256	256	256	273
Number Of Doors	2	2	2	3	4

UPRIGHT

COOLER&FREEZER



FEATURES:

Evaporator fan motor that stops when door is open to conserve energy.

Round corner design for inner bottom shelf to facilitate easy cleaning

Removable gasket that is easy to clean and replace.

Cold air circulation via fan for temperature balance

Refrigeration unit holds 33°F to 41° F (0.5°C to 5°C)

Outstanding temperature preservation reduces energy

consumption via foamed-in polyurethane cell insulation

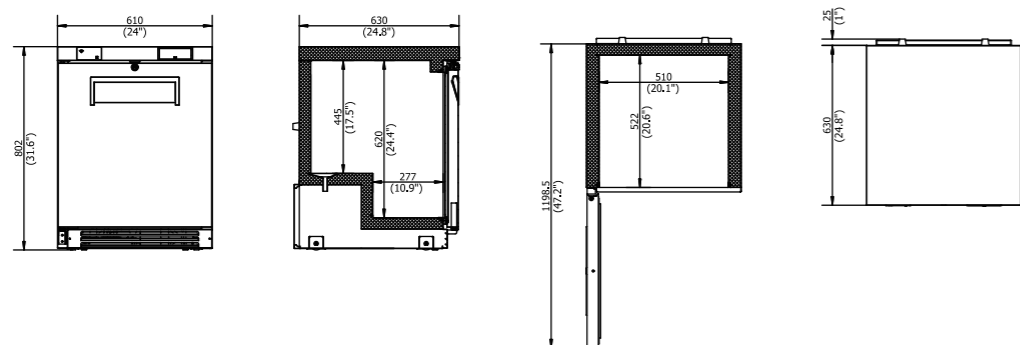
Condenser system dust resistance, Free of maintenance for years.

Self-closing and left/right hinge doors with lock & key & self-closing and left/right hinge doors equipped to stay open when past 90 degrees

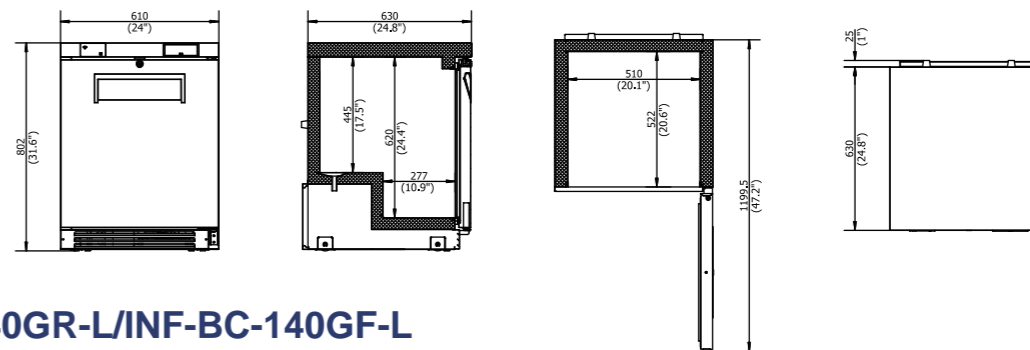
High-quality Digital thermostat

Black inner box models are optional

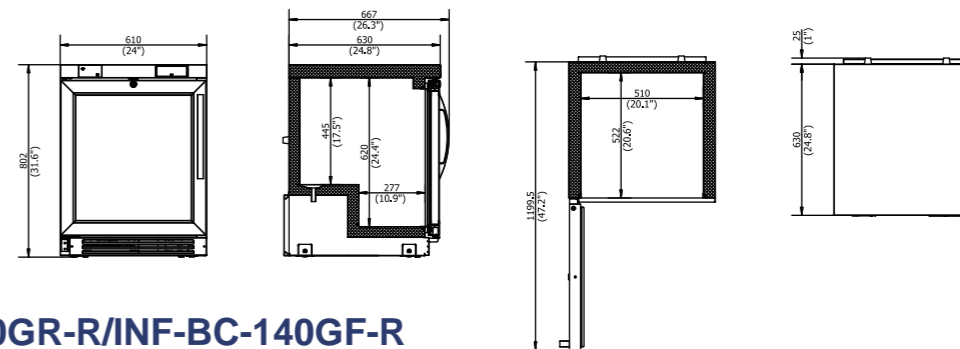
INF-BC-140R-L/INF-BC-140F-L



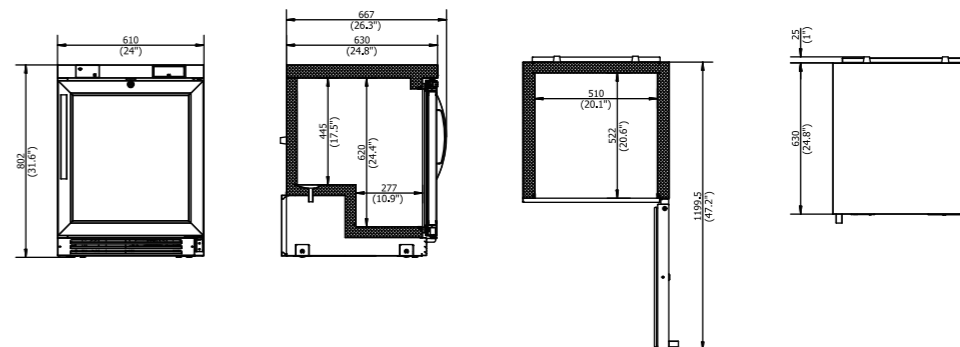
INF-BC-140R-R/INF-BC-140F-R



INF-BC-140GR-L/INF-BC-140GF-L



INF-BC-140GR-R/INF-BC-140GF-R



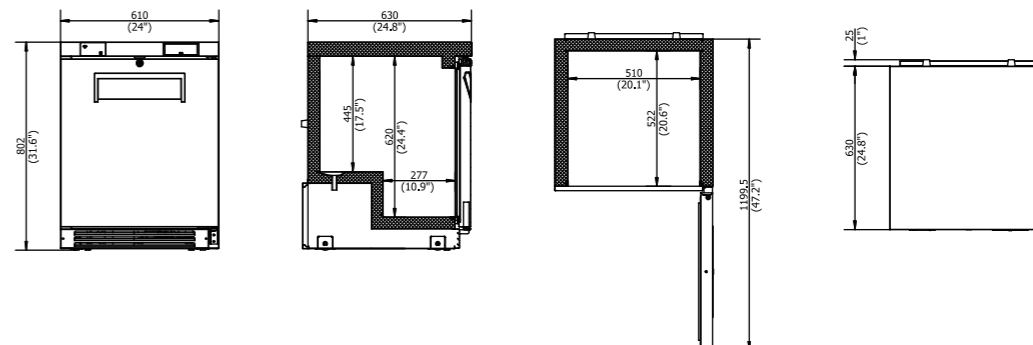
Model	INF-BC-140R	INF-BC-140F	INF-BC-140GR	INF-BC-140GF
Classification	Refrigerator	Freezer	Refrigerator	Refrigerator
Unit Dimension(WxDxH inch)	24*25 ^{3/4} *31 ^{5/8}	24*25 ^{3/4} *31 ^{5/8}	24*27 ^{3/8} *31 ^{5/8}	24*27 ^{3/8} *31 ^{5/8}
Shipping Dimension(WxDxH inch)	26*28 ^{3/8} *37 ^{3/8}	26*28 ^{3/8} *37 ^{3/8}	26*28 ^{3/8} *37 ^{3/8}	26*28 ^{3/8} *37 ^{3/8}
Inner Dimensions(WxDxH in)	20 ^{1/8} *20 ^{1/2} *24 ^{3/8}	20 ^{1/8} *20 ^{1/2} *24 ^{3/8}	20 ^{1/8} *20 ^{1/2} *24 ^{3/8}	20 ^{1/8} *20 ^{1/2} *24 ^{3/8}
Unit Dimension(WxDxH mm)	610*655*802	610*655*802	610*694*802	610*694*802
Shipping Dimension(WxDxH mm)	660*720*950	660*720*950	660*720*950	660*720*950
Inner Dimensions(WxDxH mm)	510*522*620	510*522*620	510*522*620	510*522*620
Capacity(L/Cuft)	120/4.24	120/4.24	120/4.24	120/4.24
Inner Temperature(°C)	0.5~5	-22~-18	0.5~5	-22~-18
Inner Temperature(°F)	33~41	-8~0	33~41	-8~0
Refrigerant	R290	R290	R290	R290
Insulation Type	Polyurethane/Cyclopentane+CFC Free			
Amps(A)	1.65	1.65	1.7	1.82
Voltage(V/Hz)	115/60	115/60	115/60	115/60
Power(W)	190	190	195	210
Number Of Doors	1	1	1	1

UPRIGHT

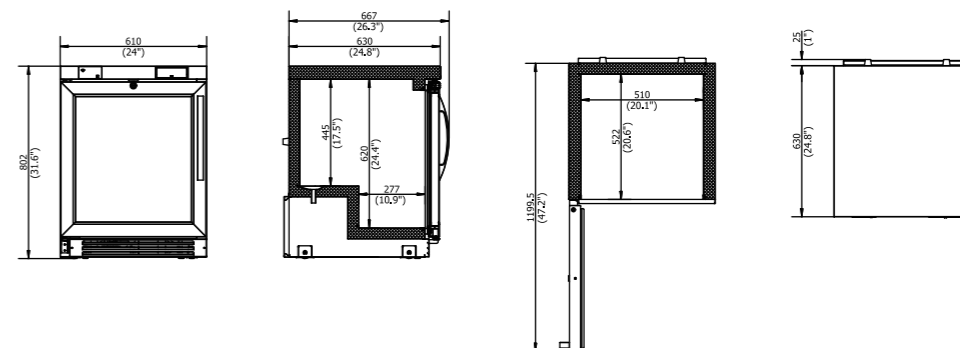
COOLER&FREEZER



INF-BC-190GR



INF-BC-190DR



FEATURES:

Evaporator fan motor that stops when door is open to conserve energy.

Round corner design for inner bottom shelf to facilitate easy cleaning

Removable gasket that is easy to clean and replace.

Cold air circulation via fan for temperature balance

Refrigeration unit holds 33°F to 41° F (0.5°C to 5°C)

Outstanding temperature preservation reduces energy

consumption via foamed-in polyurethane cell insulation

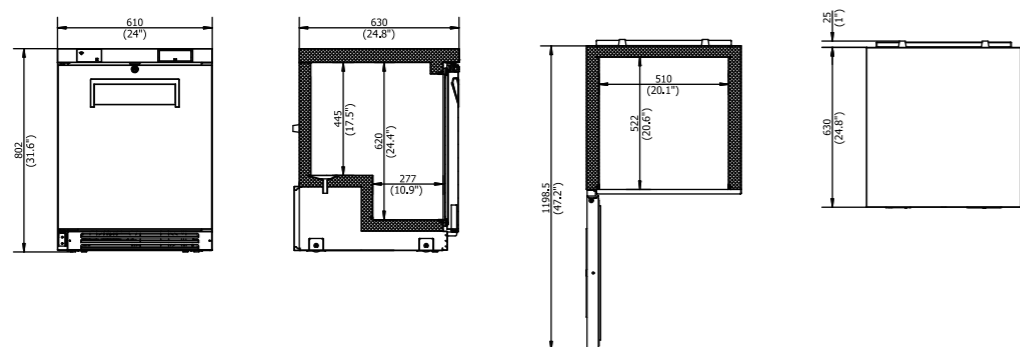
Condenser system dust resistance, Free of maintenance for years.

Self-closing and left/right hinge doors with lock & key & self-closing and left/right hinge doors equipped to stay open when past 90 degrees

High-quality Digital thermostat

Black inner box models are optional

INF-BC-190R



Model	INF-BC-190R	INF-BC-190F	INF-BC-190GR	INF-BC-190GF	INF-BC-190DR	INF-BC-190DF
Classification	Refrigerator	Freezer	Refrigerator	Refrigerator	Refrigerator	Refrigerator
Unit Dimension(WxDxH inch)	27*31*32 ¹ / ₄	27*31*32 ¹ / ₄	27*32 ¹ / ₂ *31 ¹ / ₄	27*32 ¹ / ₂ *31 ¹ / ₄	27*31*32 ¹ / ₄	27*31*32 ¹ / ₄
Shipping Dimension(WxDxH inch)	29 ¹ / ₂ *33 ⁵ / ₈ *37 ¹ / ₄	29 ¹ / ₂ *33 ⁵ / ₈ *37 ¹ / ₄	29 ¹ / ₂ *33 ⁵ / ₈ *37 ¹ / ₄	29 ¹ / ₂ *33 ⁵ / ₈ *37 ¹ / ₄	29 ¹ / ₂ *33 ⁵ / ₈ *37 ¹ / ₄	29 ¹ / ₂ *33 ⁵ / ₈ *37 ¹ / ₄
Inner Dimensions(WxDxH in)	23 ¹ / ₂ *25 ⁷ / ₈ *23 ⁷ / ₈	23 ¹ / ₂ *25 ⁷ / ₈ *23 ⁷ / ₈	23 ¹ / ₂ *25 ⁷ / ₈ *23 ⁷ / ₈	23 ¹ / ₂ *25 ⁷ / ₈ *23 ⁷ / ₈	23 ¹ / ₂ *25 ⁷ / ₈ *23 ⁷ / ₈	23 ¹ / ₂ *25 ⁷ / ₈ *23 ⁷ / ₈
Unit Dimension(WxDxH mm)	698*787*820	698*787*820	698*826*820	698*826*820	698*787*820	698*787*820
Shipping Dimension(WxDxH mm)	750*855*945	750*855*945	750*855*945	750*855*945	750*855*945	750*855*945
Inner Dimensions(WxDxH mm)	598*654*602	598*654*602	598*654*602	598*654*602	598*654*602	598*654*602
Capacity(L/Cuft)	180/6.36	180/6.36	180/6.36	180/6.36	180/6.36	180/6.36
Inner Temperature(°C)	0.5~5	-22~-18	0.5~5	-22~-18	-22~-18	-22~-18
Inner Temperature(°F)	33~41	-8~0	33~41	-8~0	-8~0	-8~0
Refrigerant	R290	R290	R290	R290	R290	R290
Insulation Type	Polyurethane/Cyclopentane+CFC Free					
Amps(A)	1.38	1.67	1.45	1.92	1.51	1.78
Voltage(V/Hz)	115/60	115/60	115/60	115/60	115/60	115/60
Power(W)	150	168	158	195	165	183
Number Of Doors	1	1	1	1	1	1